

CATALOGUE 2025

Pumps | Automation Building | Water | Waste Water | Industry

valid from
01/01/2025



Self-priming Domestic Water Supply Systems with Automatic Control Unit

MultiEco Pro with Controlmatic E



Product benefits

- Reliable, sturdy pump installation thanks to corrosion-protected pump casing with stainless steel jacket
- Ready-to-connect, easy installation and commissioning
- Automatic and quick priming once the pump casing has been filled. Suction lift up to 8 m thanks to self-priming design (KSB patent).
- Energy-efficient low-noise operation thanks to wear-resistant multistage hydraulic system with optimised efficiency

Further information

Prices on request

Characteristic curve 337

Dimensions..... 337

Product catalogue:

<https://www.ksb.com/en-gb/lc/M17A>

Further information

	Controlmatic E (⇒ Page 1359)	Single-pump control unit, pressure-dependent, non-ATEX-compliant
--	---------------------------------	--

Product information as per Regulation No. 1907/2006 (REACH)

For information as per European chemicals regulation (EC) No. 1907/2006 (REACH) see <https://www.ksb.com/en-global/company/corporate-responsibility/reach>.

Main applications

- General irrigation systems
- Domestic water supply
- Washing plants

Fluids handled

- Clean to turbid water not containing aggressive, abrasive or solid substances
- River water, lake water and groundwater

Operating data

Operating properties

Characteristic		Value
Flow rate	Q [m³/h]	≤ 4,2
	Q [l/s]	≤ 1,12
Head	H [m]	≤ 54

Characteristic		Value
Fluid temperature	T [°C]	≤ +50 for continuous duty
		≤ +60 for 10 minutes
Operating pressure	p _d [bar]	Depending on pump size ¹³⁹⁾
Suction lift	H _s [m]	≤ 8

¹³⁹⁾ Controlmatic E or E.2 must be protected against pressures exceeding the permissible nominal pressure p_d.

Design details

Design

- Centrifugal pump
- Close-coupled design
- Multistage
- Self-priming

Automation

- Controlmatic E is used to start up and stop the pump in line with consumer demand.
- Controlmatic E protects the pump against dry running.

Drive

- AC motor
- Range of rated voltage: 220 - 240 V
- Frequency 50 Hz
- Thermal overload protection
- Enclosure IP44
- Thermal class F

Bearings

- Deep groove ball bearings
- Grease-packed bearings sealed for life

Designation

Example: MultiEco Pro 35 E

Designation key

Code	Description
MultiEco Pro	Type series
35	Size
E	Controlmatic E

Materials

Overview of available materials

Part No.	Description	Material
101	Pump casing	Grey cast iron with anti-corrosive coating
160	Discharge cover	Grey cast iron with anti-corrosive coating
230	Impeller/stage casing	Noryl
109	Shroud	Stainless steel
210	Shaft	Chrome steel
801	Motor housing	Aluminium

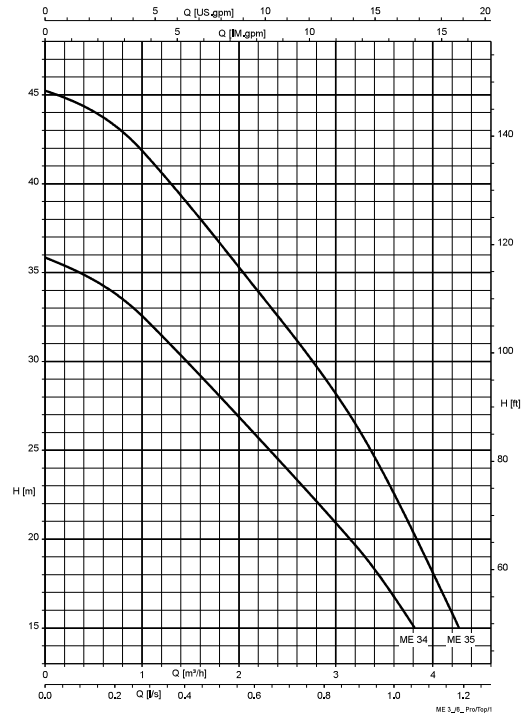
Housing of Controlmatic E or E.2 made of glass-fibre reinforced polyamide

Prices on request

Type series	MPG	L	[kg]	Mat. No.	Price
...

Characteristic curve

MultiEco Pro 34/35, n = 2800 rpm



The discharge head is the sum of suction lift + pressure head + friction losses in suction and discharge lines + required tap pressure. The flow rate depends on the relevant discharge head. Maximum suction lift for all pump sizes: approx. 8 m.

Dimensions

MultiEco Pro with Controlmatic E

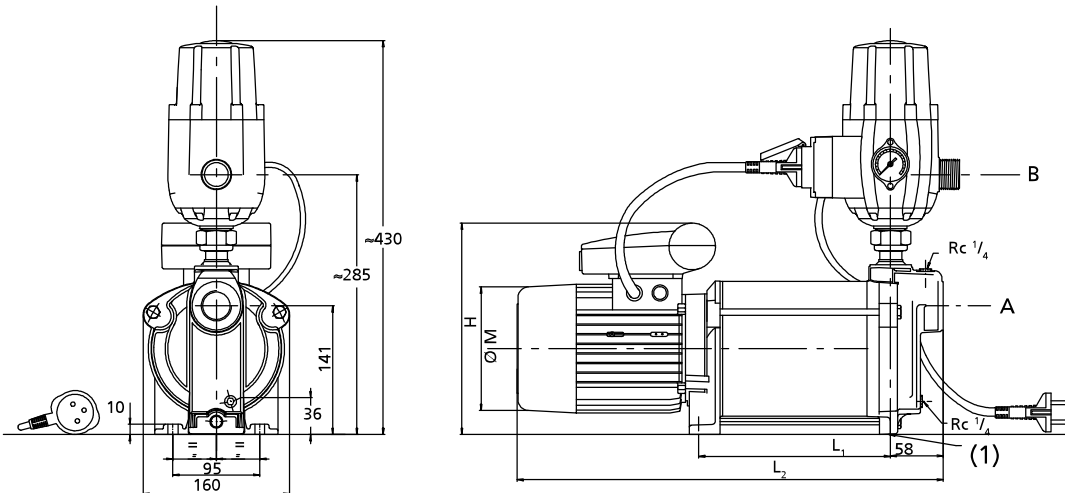


Fig. 146: Dimensions of MultiEco Pro with Controlmatic E [mm]

A	Suction nozzle	(1)	2 holes Ø 8
B	Discharge nozzle		

Dimensions [mm]

Size	Ø A suction nozzle	Ø B discharge nozzle	L ₁	L ₂	H	Ø M
34 E	G 1	G 1	153,7	391,7	215	118
35 E	G 1	G 1	182,2	420,2	215	118

Self-priming Domestic Water Supply Systems with Automatic Control Unit

MultiEco Pro with Controlmatic E.2



Product benefits

- Reliable, sturdy pump installation thanks to corrosion-protected pump casing with stainless steel jacket
- Ready-to-connect, easy installation and commissioning
- Automatic and quick priming once the pump casing has been filled. Suction lift up to 8 m thanks to self-priming design (KSB patent).
- Energy-efficient low-noise operation thanks to wear-resistant multistage hydraulic system with optimised efficiency

Further information

Prices on request

Characteristic curve 340

Dimensions..... 340

Product catalogue:

<https://www.ksb.com/en-gb/lc/M17A>

Further information



Controlmatic E.2
(⇒ Page 1360)

Single-pump control unit, pressure-dependent, non-ATEX-compliant

Product information as per Regulation No. 1907/2006 (REACH)

For information as per European chemicals regulation (EC) No. 1907/2006 (REACH) see <https://www.ksb.com/en-global/company/corporate-responsibility/reach>.

Main applications

- General irrigation systems
- Domestic water supply
- Washing plants

Fluids handled

- Clean to turbid water not containing aggressive, abrasive or solid substances
- River water, lake water and groundwater

Operating data

Operating properties

Characteristic	Value
Flow rate	Q [m³/h] ≤ 4,2
	Q [l/s] ≤ 1,12
Head	H [m] ≤ 54

Characteristic	Value
Fluid temperature	T [°C] ≤ +50 for continuous duty
	≤ +60 for 10 minutes
Operating pressure	p _d [bar] Depending on pump size ¹⁴⁰⁾
Suction lift	H _s [m] ≤ 8

¹⁴⁰⁾ Controlmatic E or E.2 must be protected against pressures exceeding the permissible nominal pressure p_d.

Design details

Design

- Centrifugal pump
- Close-coupled design
- Multistage
- Self-priming

Automation

- Controlmatic E.2 is used to start up and stop the pump in line with consumer demand.
- Controlmatic E.2 protects the pump against dry running

Drive

- AC motor
- Range of rated voltage: 220 - 240 V
- Frequency 50 Hz
- Thermal overload protection
- Enclosure IP44
- Thermal class F

Bearings

- Deep groove ball bearings
- Grease-packed bearings sealed for life

Designation

Example: MultiEco Pro 35 E2

Designation key

Code	Description
MultiEco Pro	Type series
35	Size
E2	Controlmatic E.2

Materials

Overview of available materials

Part No.	Description	Material
101	Pump casing	Grey cast iron with anti-corrosive coating
160	Discharge cover	Grey cast iron with anti-corrosive coating
230	Impeller/stage casing	Noryl
109	Shroud	Stainless steel
210	Shaft	Chrome steel
801	Motor housing	Aluminium

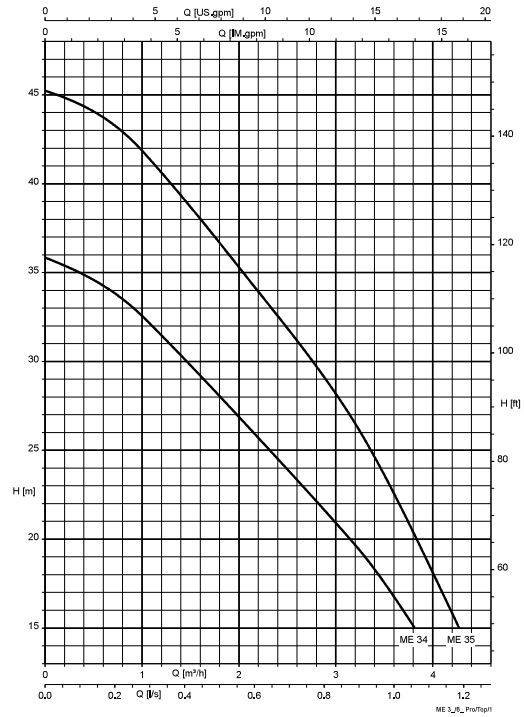
Housing of Controlmatic E or E.2 made of glass-fibre reinforced polyamide

Prices on request

Type series	MPG	L	[kg]	Mat. No.	Price
...

Characteristic curve

MultiEco Pro 34/35, n = 2800 rpm



The discharge head is the sum of suction lift + pressure head + friction losses in suction and discharge lines + required tap pressure. The flow rate depends on the relevant discharge head. Maximum suction lift for all pump sizes: approx. 8 m.

Dimensions

MultiEco Pro with Controlmatic E.2

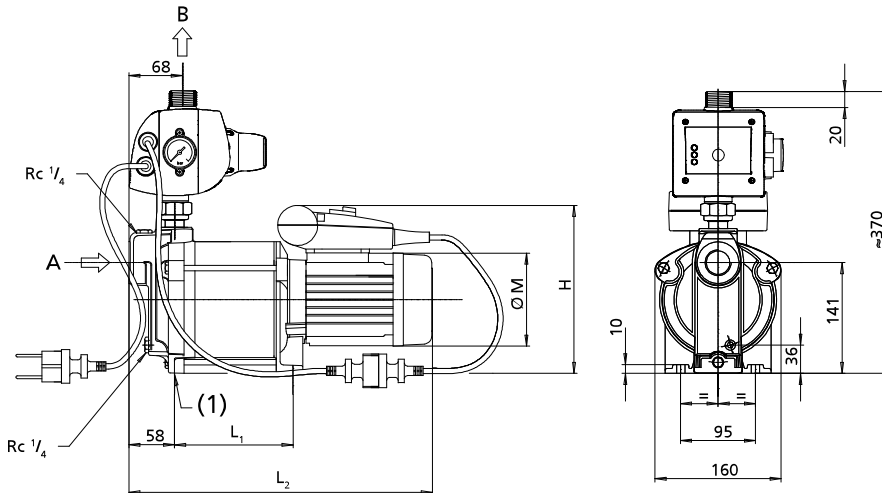


Fig. 147: Dimensions of MultiEco Pro with Controlmatic E.2 [mm]

A	Suction nozzle	(1)	2 holes Ø 8
B	Discharge nozzle		

Dimensions [mm]

Size	Ø A suction nozzle	Ø B discharge nozzle	L ₁	L ₂	H	Ø M
34 E2	G 1	G 1	153,7	391,7	215	118
35 E2	G 1	G 1	182,2	420,2	215	118