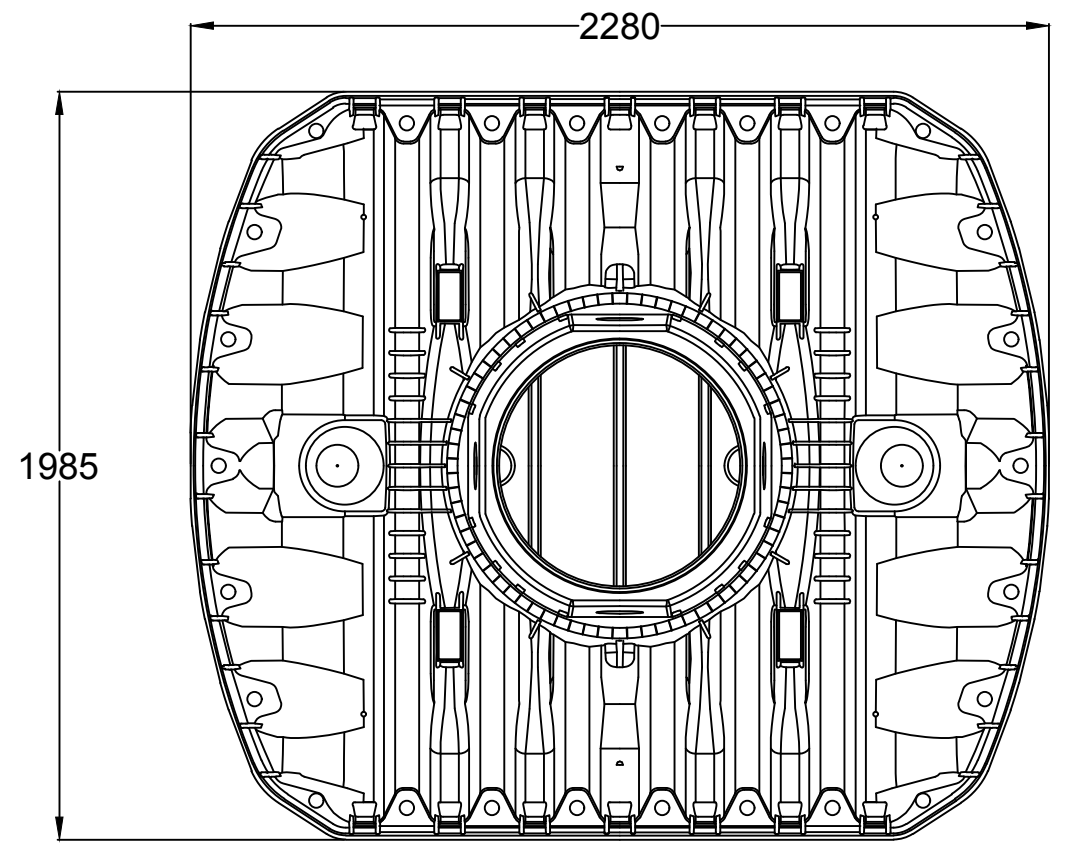
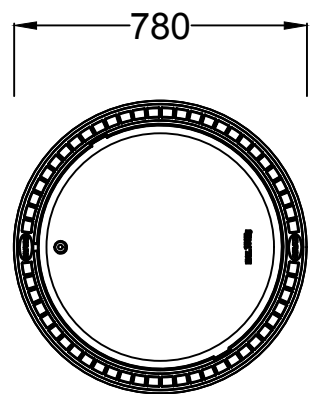
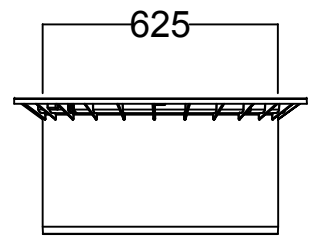
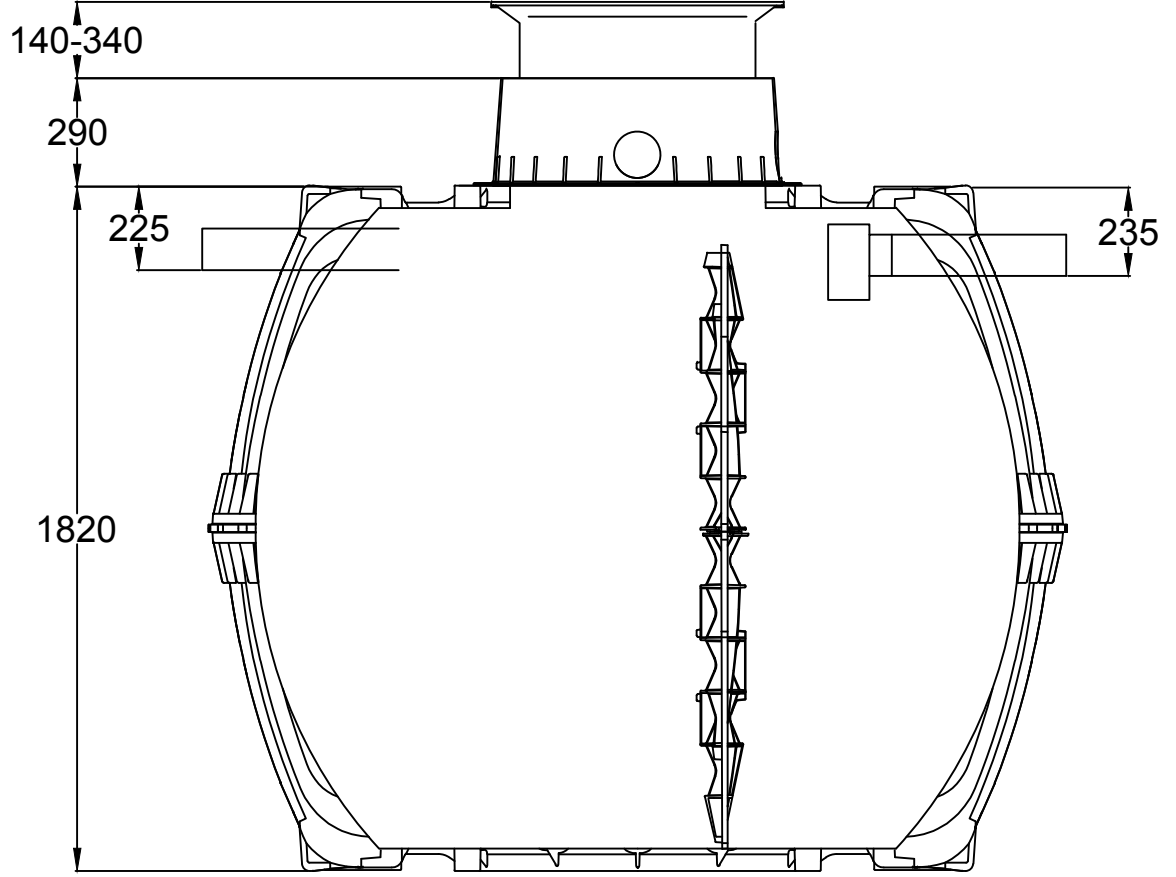
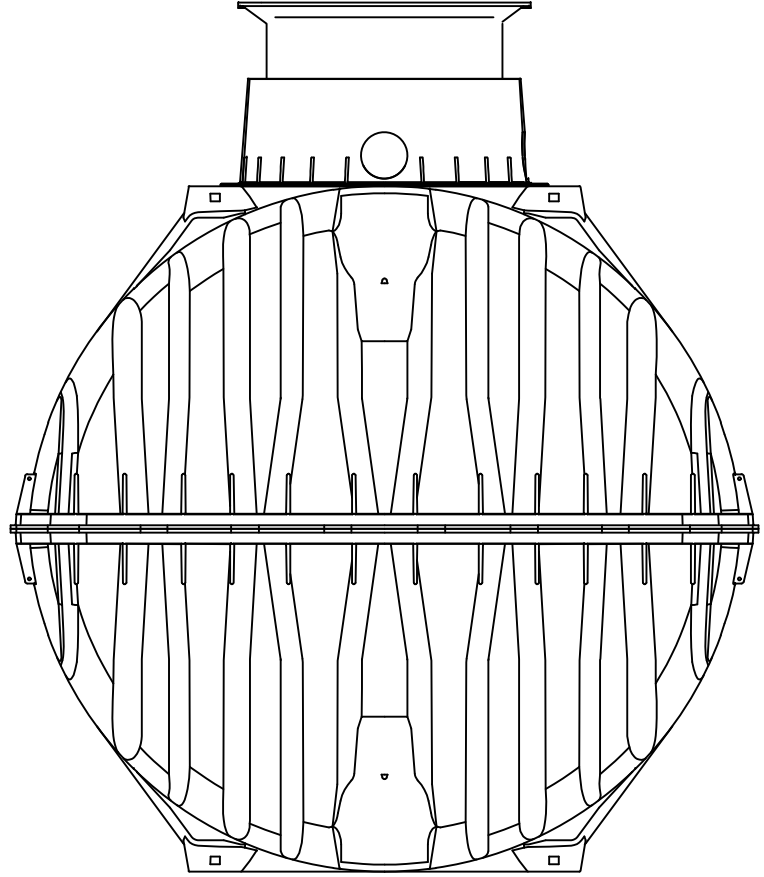


THIS DOCUMENT IS SUPPLIED IN STRICT CONFIDENCE AND MUST NOT BE LENT, REPRODUCED OR DISCLOSED TO ANY THIRD PARTY WITHOUT THE WRITTEN CONSENT OF GRAF UK LIMITED

**DO NOT SCALE - IF IN DOUBT ASK**

NOTES:-



P0	PRELIMINARY	DS	02.01.18
REV.	DESCRIPTION	BY	DATE

ISSUE  
**PRELIMINARY**

**GRAF** GRAF UK Limited

Graf UK Limited | Regen House | Beaumont Road | Banbury | OX16 1RH  
 T: 01608 661500 F: 01295 211333  
 E: info@grafuk.co.uk www.grafuk.co.uk

DRAWN :	DS	DATE :	02.01.18
CHECKED :	MC	SCALE :	1:100@A3

DESCRIPTION  
**4800L SEPTIC TANK WITH MINI DOME**

DRAWING No.	REV.
<b>4800L SEPTIC.001</b>	<b>P0</b>