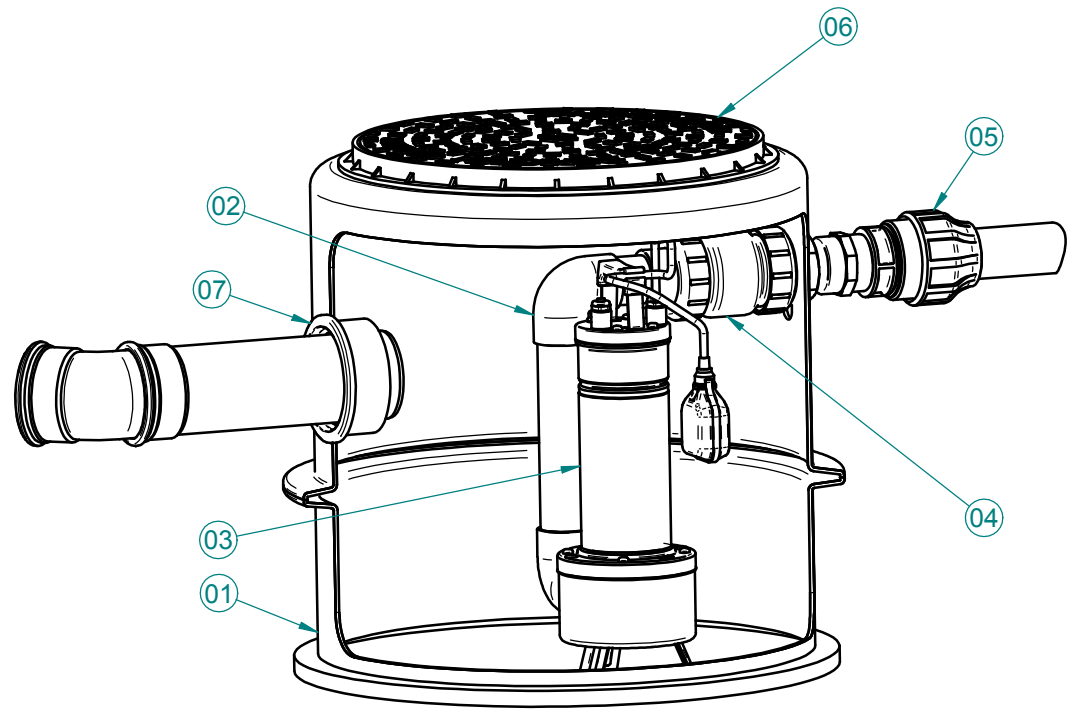


Item Number	Description
01	610mm Dia x 635mm Deep PE Chamber
02	2" PVC Pipework
03	50mm Solids Handling Sewage Pump
04	2" Check / Non-Return Valve
05	MDPE 63mm Tank Connector
06	450mm Diameter Cover / Frame
07	110mm Rubber Inlet Seal



**NOTES:**

1. INLET SEAL TO BE CUT ON SITE BY CUSTOMER
2. LOCATION OF INLET FOR ILLUSTRATION PURPOSES, PLEASE CALL DRAINSTORE FOR FURTHER ADVICE
3. HANDLING CAPACITY = 50mm

TITLE  
0.6 x 0.6 FSM G.A

	NAME	DATE
DRAWN	Dan Vardy	06/23/17
CHECKED		
ENG APPR		
MGR APPR		

**Drainstore.com**   
01773 767611