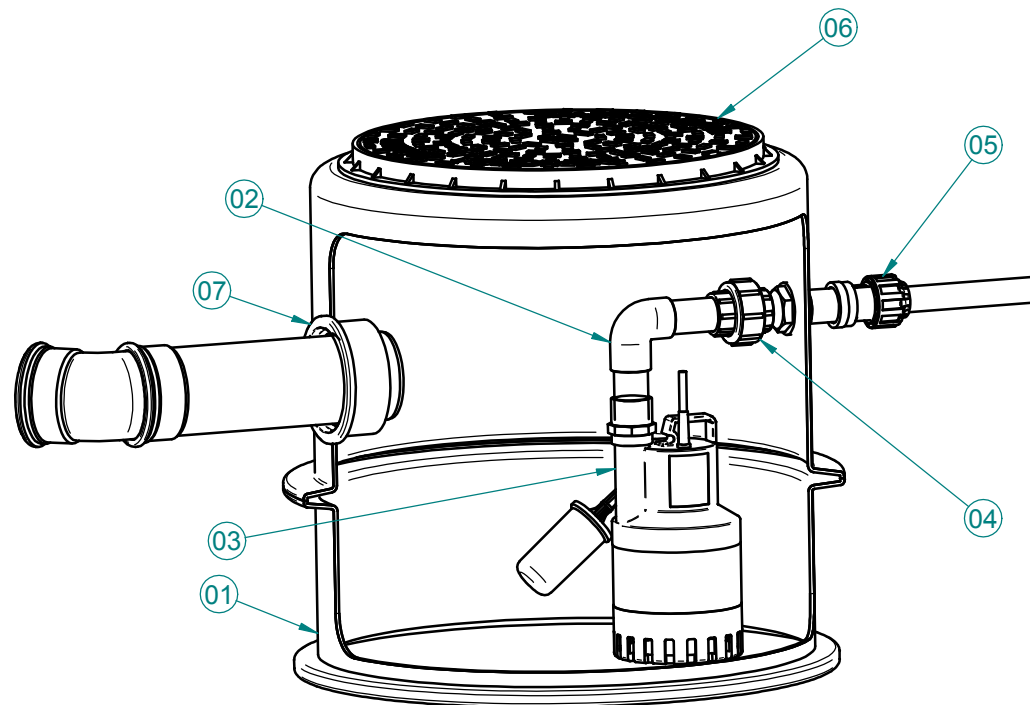


Item Number	Description
01	610mm Dia x 635mm Deep PE Chamber
02	1.25" PVC Pipework
03	Effluent / Water Pump 10mm Solids
04	1.25" Connector
05	MDPE 32mm Tank Connector
06	450mm Diameter Cover / Frame
07	110mm Rubber Inlet Seal



NOTES:

1. INLET SEAL TO BE CUT ON SITE BY CUSTOMER
2. LOCATION OF INLET FOR ILLUSTRATION PURPOSES, PLEASE CALL DRAINSTORE FOR FURTHER ADVICE

TITLE
0.6 x 0.6 ESM G.A

	NAME	DATE
DRAWN	Dan Vardy	06/23/17
CHECKED		
ENG APPR		
MGR APPR		

Drainstore.com 

01773 767611