



Uniclass L7312	
CI/SfB (52.9)	

ACO Anti-flood Systems



ACO JUNIOR®

Backflow floor drain

The ACO JUNIOR® is a Type 5 anti-flooding device for grey water application and conforms to BS EN 13564. Compact construction makes this backflow gully ideal for new build or refurbishment projects.

The award winning design incorporates backflow protection featuring two gravity closure devices one of which is an emergency seal which can be operated manually.

Versatile design

The ACO JUNIOR® installs into solid floor construction and connects to 110mm Ø drain pipe. An optional 50mm Ø back inlet allows connection from an appliance, shower or basin.

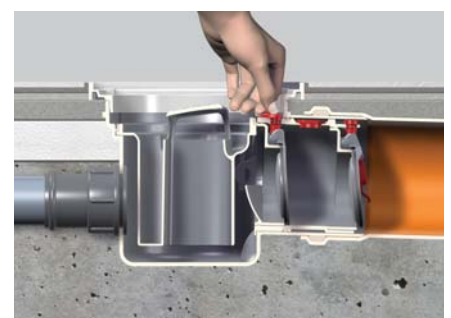
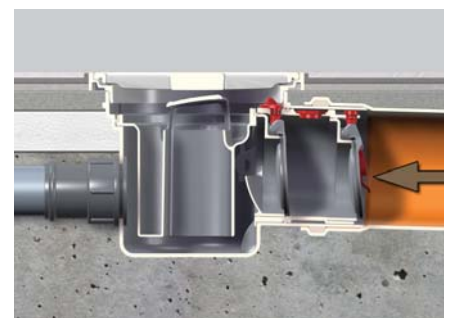
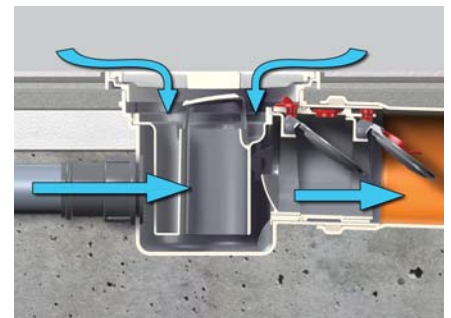
Reliable function

When backflow occurs, reversing the direction of flow, water reaches the primary flap and forces it shut. The secondary flap provides additional safety.

The manually operated emergency seal incorporated into the second flap provides the option to shut off the pipe system for additional security or where long periods of non-use may result in evaporation of the foul air trap allowing the drain to vent foul odours.

Key features

- ▶ Compact design with double flap security
- ▶ 147mm to 277mm outlet invert range
- ▶ 60mm water seal
- ▶ Manual flap lock prevents venting through trap
- ▶ Tile top rotates and height adjusts
- ▶ Top access foul air trap and sludge bucket
- ▶ All parts removable for cleaning
- ▶ Multi-fit 50mm back inlet option for additional connection



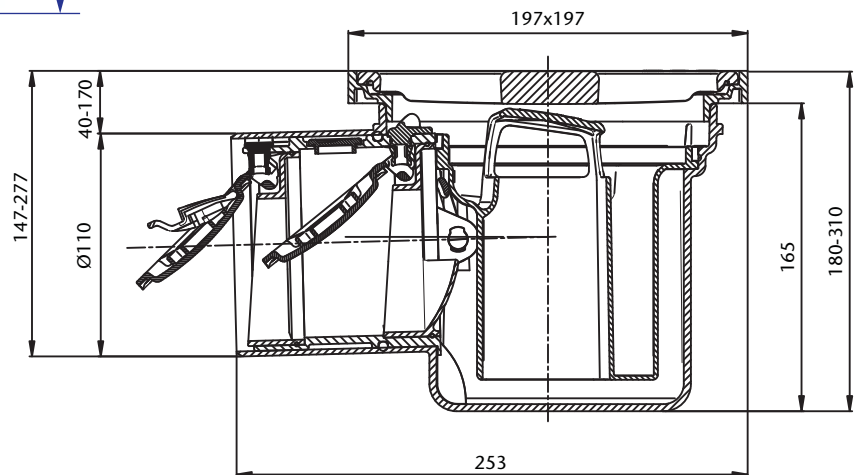
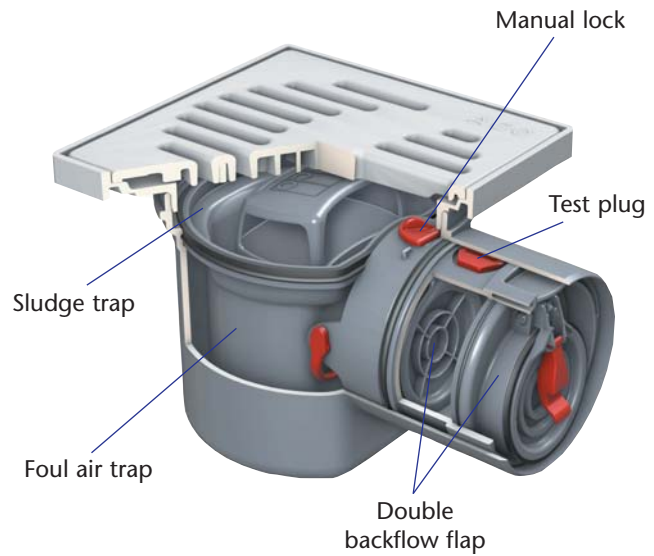
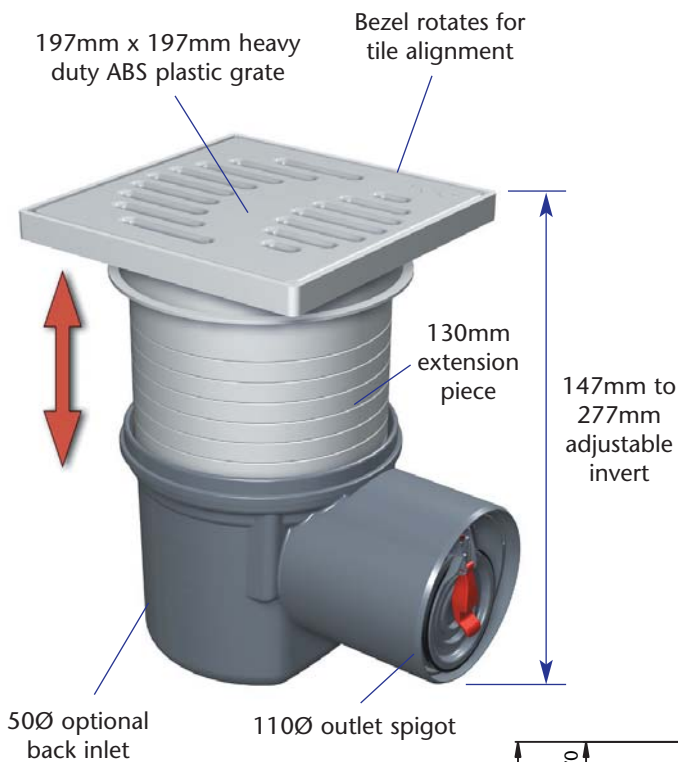
Technical

ACO JUNIOR® backflow floor drain

- ▶ **Double backflow flaps with manual locking**
- ▶ **Grating, body and internals injected molded ABS and PP plastics**
- ▶ **Foul air trap with 60mm water seal**
- ▶ **Sludge trap**
- ▶ **Removable grating 197mm x 197mm Load Class K3 to BS EN 1253**
- ▶ **Connection, 110mm pipe**
- ▶ **Flow, 1.6l/s**
- ▶ **Weight, 1.2kg**

Ordering

Reference	Ø (mm)	Part No
ACO Junior	110	105602
Back inlet option (Multi-fit)	50	105603
Seals maintenance kit	-	105607



ACO Building Drainage

ACO Business Centre, Caxton Road, Bedford, Bedfordshire MK41 0LF

Tel: 01462 816666 Fax: 01462 851490

e-mail: buildingdrainage@aco.co.uk

Website: www.acobuildingdrainage.co.uk