

Receiver
From

 Society
 Reference
 Address
 Phone
 Fax
 E-mail

Item n° :

103040120

Model :

FEKA VS 1200 M - A

Pump data

Free passage : 50 mm

Pressure rating :

Min. fluid temperature : 0

Max. fluid temperature : 50 °C

Max. Ambient temperature : 40 °C

Requested data

Flow : 0 m³/h

Head : 0 m

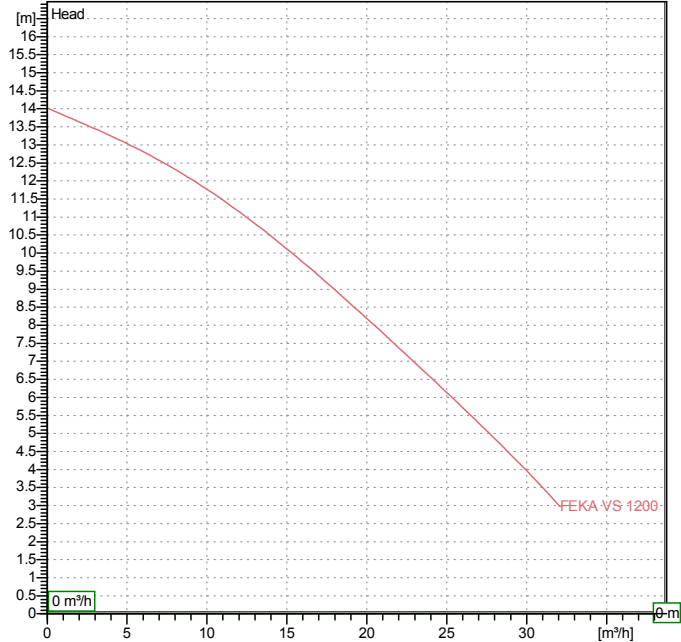
Fluid : Water, pure

Fluid Temperature : 20 °C

Density : 998.3 kg/m³

Kinematic viscosity : 1.005 mm²/s

Vapor pressure : 100 kPa

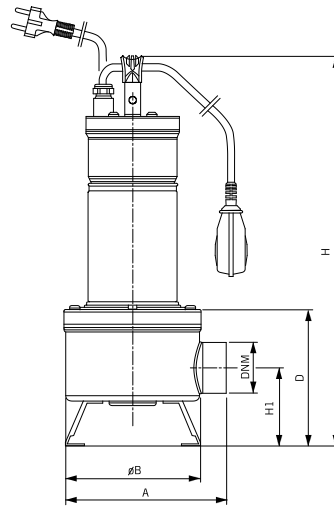
Curve tolerance according to ISO 9906

Hydraulic data (duty point)

Flow :

Head :

Materials

Pump body	Stainless Steel (AISI 304)
Impeller	Stainless Steel (AISI 304)
Motor shaft	AISI 316
Seal disk	Stainless Steel (AISI 304)
Motor casing	Stainless Steel (AISI 304)
Protection cover	Stainless Steel (AISI 304)
Mechanical seal pump side	Silicon carbide/Silicon carbide


Motor data
Weight : 20.8 kg

Motor brand : DAB

Nominal power P2 : 1.2 kW

Rated speed : 2800 rpm

Rated voltage : 1~ 220-240 V

50 Hz

Nominal current : 8.63 A

Degree of protection : IP 68

Dimensions in mm

Dimension	Value				
A	203				
B	170				
D	172				
DNM	2" F				
H	537				
H1	98				

Pump connection

 Suction side : /
 Discharge side : 2" F / --



WATER • TECHNOLOGY

PERFORMANCE CURVES

03/04/2018

Page 2 / 3

DAB PUMPS S.p.A.
Via Marco Polo, 14 - 35035 Mestrino (PD), Italy
Tel. +39 049 5125000 - Fax +39 049 5125950
www.dabpumps.com

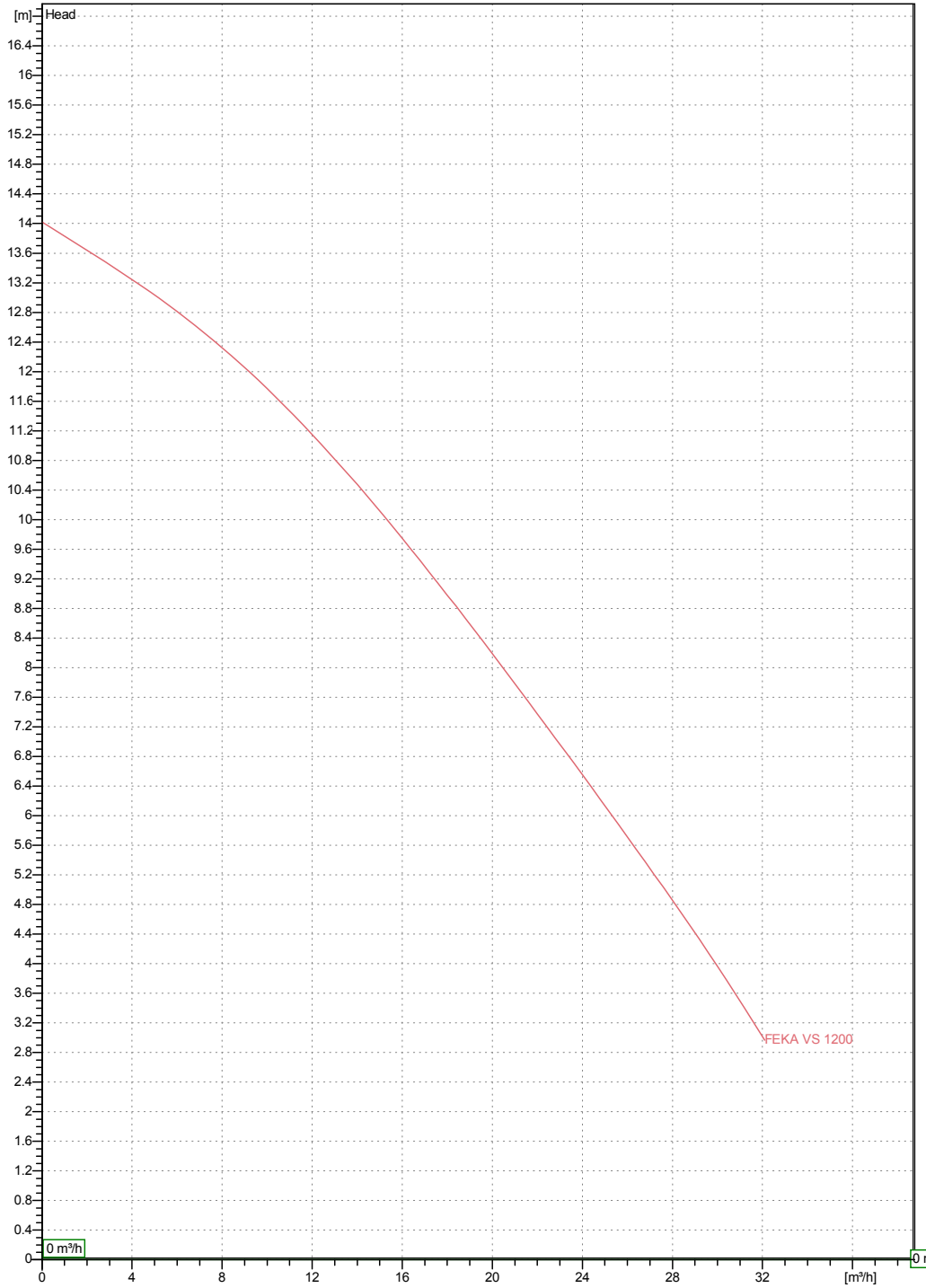
Receiver

From

Society
Reference
Address
Phone
Fax
E-mail

FEKA VS 1200 M - A

Curve tolerance according to ISO 9906



Hydraulic data (duty point)

Suction side :	Discharge side : 2 " F --	Flow : 0 m³/h	Head : 0 m	Rated speed : 2800 rpm
Project	Project ID	Created by	Created on 03/04/2018	



WATER • TECHNOLOGY

DIMENSIONAL DRAWING

03/04/2018

Page 3 / 3

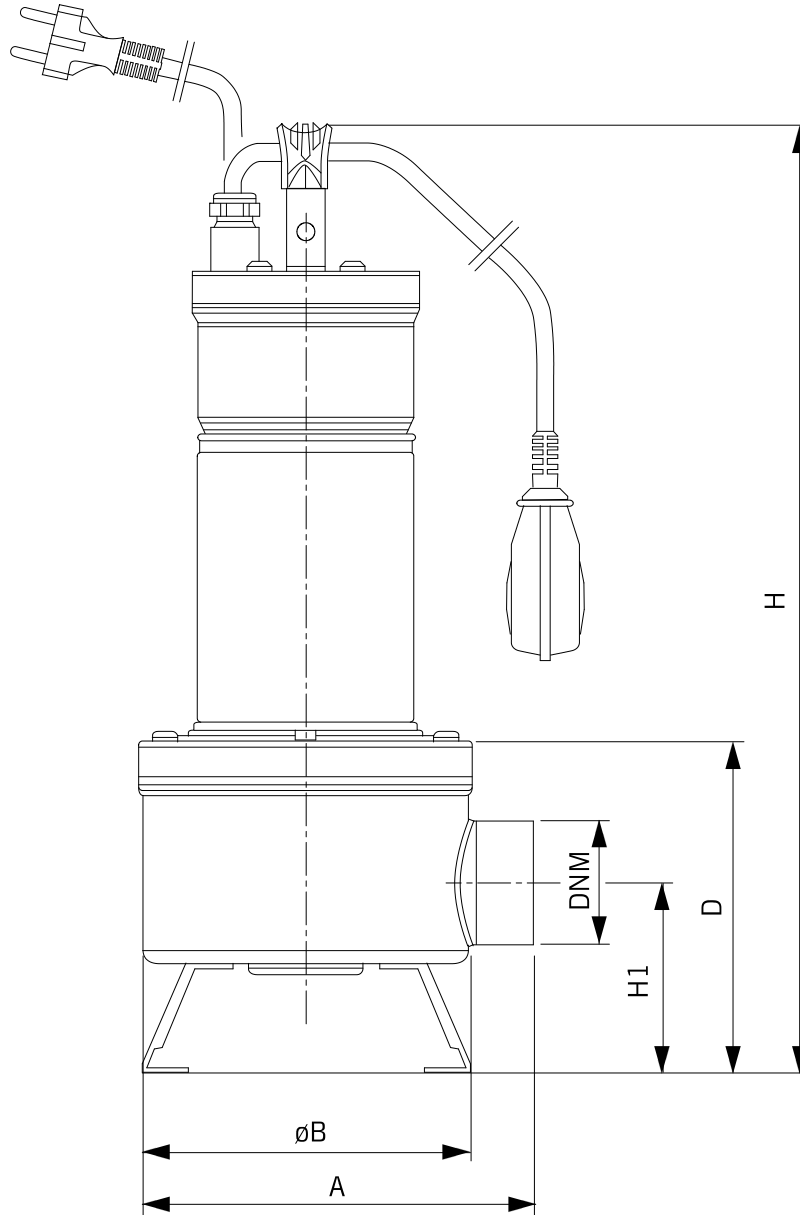
DAB PUMPS S.p.A.
Via Marco Polo, 14 - 35035 Mestrino (PD), Italy
Tel. +39 049 5125000 - Fax +39 049 5125950
www.dabpumps.com

Receiver

From

Society
Reference
Address
Phone
Fax
E-mail

FEKA VS 1200 M - A



Dimensions in mm

1	A	203
2	B	170
3	D	172
4	DNM	2" F
5	H	537
6	H1	98

Pump connection

Suction

Discharge

2" F

-

Project

Project ID

Created by

Created on

03/04/2018