

Receiver

 Society
 Reference
 Address
 Phone
 Fax
 E-mail

From

 DAB Pumps LTD
 Mehmet, Nick
 Dunmow Road
 07881376578
 -
 nick.mehmet@dwgroup.com

Item n° :

103040130

Model :

FEKA VS 1200 M - NA

Pump data

Free passage : 50 mm

Pressure rating :

Min. fluid temperature : 0

Max. fluid temperature : 50 °C

Max. Ambient temperature : 40 °C

Requested data

Flow : 3 l/s

Head : 11.5 m

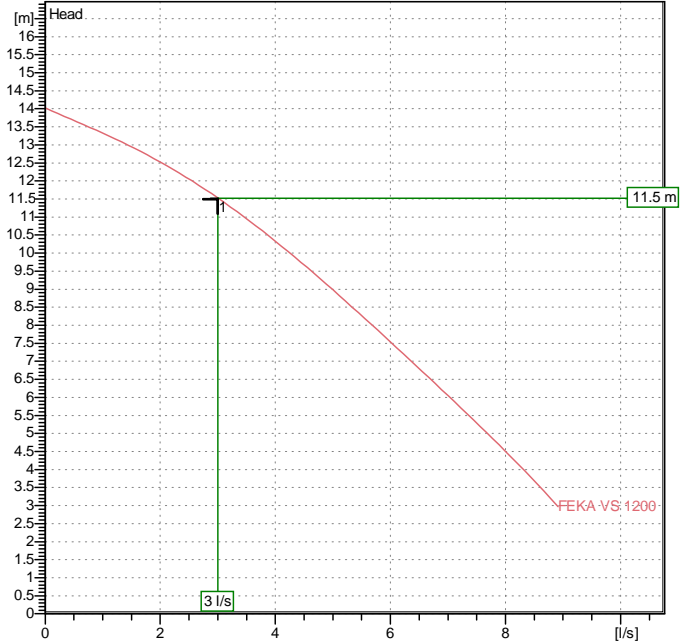
Fluid : Ethylene glycol

Fluid Temperature : 20 °C

Density : 62.322 lb/ft³

Kinematic viscosity : 1.0818E-5 ft²/s

Vapor pressure : 2.337 kPa

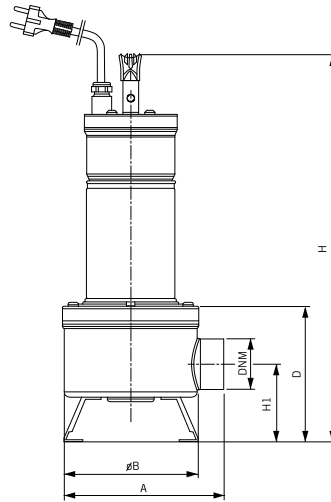
Curve tolerance according to ISO 9906

Hydraulic data (duty point)

Flow : 3.0033 l/s

Head : 11.525 m

Materials

Pump body	Stainless Steel (AISI 304)
Impeller	Stainless Steel (AISI 304)
Motor shaft	AISI 316
Seal disk	Stainless Steel (AISI 304)
Motor casing	Stainless Steel (AISI 304)
Protection cover	Stainless Steel (AISI 304)
Mechanical seal pump side	Silicon carbide/Silicon carbide


Motor data
Weight : 20.8 kg

Motor brand : DAB

Nominal power P2 : 1.2 kW

Rated speed : 2800 rpm

Rated voltage : 1~ 220-240 V

50 Hz

Nominal current : 8.63 A

Degree of protection : IP 68

Dimensions in mm

Dimension	Value				
A	203				
B	170				
D	172				
DNM	2" F				
H	537				
H1	98				

Pump connection

 Suction side : /
 Discharge side : 2" F / --