

Receiver

 Society
 Reference
 Address
 Phone
 Fax
 E-mail

From

 DAB PUMPS LTD.
 Piccini, Alberto
 Unit 4 & 5, Stortford Hall Industrial Park, Dunmow Road
 01279 715120
 -
 alberto.piccini@dwtgroup.com

Item n° :

103040000

Model :

FEKA VS 550 M - A

Pump data

Free passage : 50 mm

Pressure rating :

Min. fluid temperature : 0

Max. fluid temperature : 50 °C

Max. Ambient temperature : 40 °C

Requested data

Flow : 0 l/min

Head : 0 m

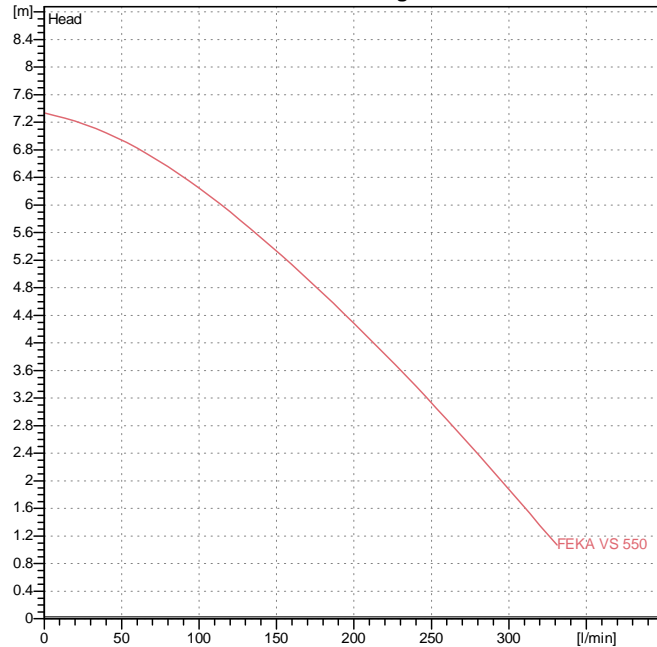
Fluid : Water

Fluid Temperature : 20 °C

 Density : 0.99819 kg/dm³

 Kinematic viscosity : 1.0004 mm²/s

Vapor pressure : 2.2045 kPa

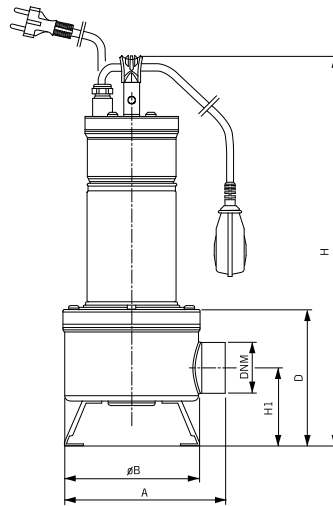
Curve tolerance according to ISO 9906

Hydraulic data (duty point)

Flow :

Head :

Materials

Pump body	Stainless Steel (AISI 304)
Impeller	Stainless Steel (AISI 304)
Motor shaft	AISI 316
Seal disk	Stainless Steel (AISI 304)
Motor casing	Stainless Steel (AISI 304)
Protection cover	Stainless Steel (AISI 304)
Mechanical seal pump side	Silicon carbide/Silicon carbide


Motor data
Weight : 16.3 kg

 Motor brand : DAB
 Nominal power P2 : 0.55 kW
 Rated speed : 2800 1/min
 Rated voltage : 1~ 220-240 V
 Nominal current : 4.2 A
 Degree of protection : IP 68

50 Hz

Dimensions in mm

Dimension	Value				
A	203				
B	170				
D	172				
DNM	2" F				
H	492				
H1	98				

Pump connection

 Suction side : /
 Discharge side : 2" F / --



PERFORMANCE CURVES

21/11/2016

Page 2 / 3

DAB PUMPS S.p.A.
Via Marco Polo, 14 - 35035 Mestrino (PD), Italy
Tel. +39 049 5125000 - Fax +39 049 5125950
www.dabpumps.com

	Receiver	From
Society Reference Address Phone Fax E-mail		DAB PUMPS LTD. Piccini, Alberto Unit 4 & 5, Stortford Hall Industrial Park, Dunmow Road 01279 715120 - alberto.piccini@dwtgroup.com

FEKA VS 550 M - A

Curve tolerance according to ISO 9906



Hydraulic data (duty point)

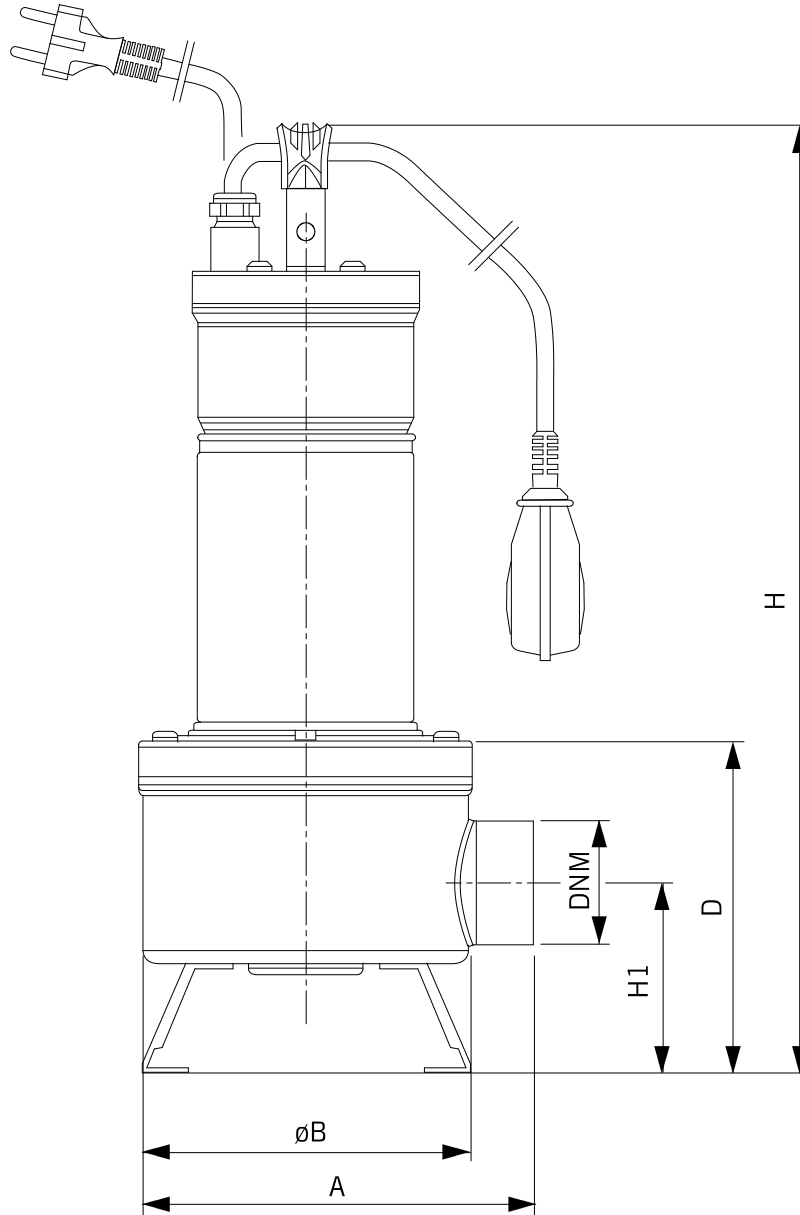
Suction side :	Discharge side : 2" F --	Flow : 0 l/min	Head : 0 m	Rated speed : 2800 1/min
Project	Project ID	Created by	Created on 21/11/2016	

Receiver
From

 Society
 Reference
 Address
 Phone
 Fax
 E-mail

DAB PUMPS LTD.
 Piccini, Alberto
 Unit 4 & 5, Stortford Hall Industrial Park, Dunmow Road
 01279 715120
 -
 alberto.piccini@dwtgroup.com

FEKA VS 550 M - A


Dimensions in mm

1	A	203				
2	B	170				
3	D	172				
4	DNM	2" F				
5	H	492				
6	H1	98				

Pump connection

Suction

Discharge

2 " F

--

Project

Project ID

Created by

Created on

21/11/2016