

Hydro-Valve Installation Instructions

Installation Instructions For Small Mounting Box In Ø1.05m / Ø1.8m / Ø2.1m / Ø2.4m Circular Manhole Chambers

Step 1

Cut a hole in the manhole to allow the inlet and outlet pipes through at the correct invert level.

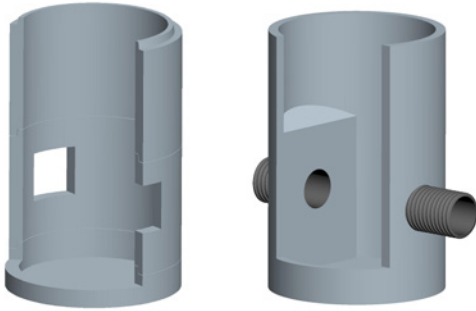


Figure 1 - Step 1 & 2

Step 2

Install the inlet and outlet pipes at the correct invert level. Concrete shutter a flat wall inside the manhole around the outlet pipe as shown above. See dimensions on drawing sheet (overleaf).

Step 3

Mount the Hydro-Valve on the shuttered flat wall up against the outlet pipe. Ensure outlet invert level is the same as invert mark on Hydro-Valve. Ensure Hydro-Valve is horizontally level to achieve a good seal with the manhole.

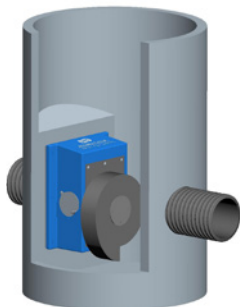


Figure 2 - Step 3 & 4

Step 4

Drill the manhole through the 6 holes in the Hydro-Valve.

Step 5

Fix the Hydro-Valve to the manhole with the steel stud anchors supplied. Tighten bolts until the neoprene gasket is fully compressed to achieve a watertight seal between Hydro-Valve and manhole wall.

Step 6

Fix the first by-pass cord bracket to the underside of the manhole cover vertically above the bypass plate.

Step 7

Fix the second by-pass cord bracket to the underside of the manhole cover adjacent to the access opening.

Step 8

Ensure the by-pass cord bracket operates freely and is accessible from the ground.

Optional Overflow

A high level overflow can be incorporated by piping into the outlet from inside the manhole at the top water level.

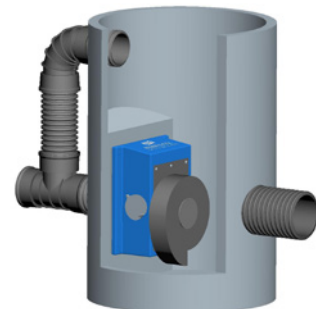
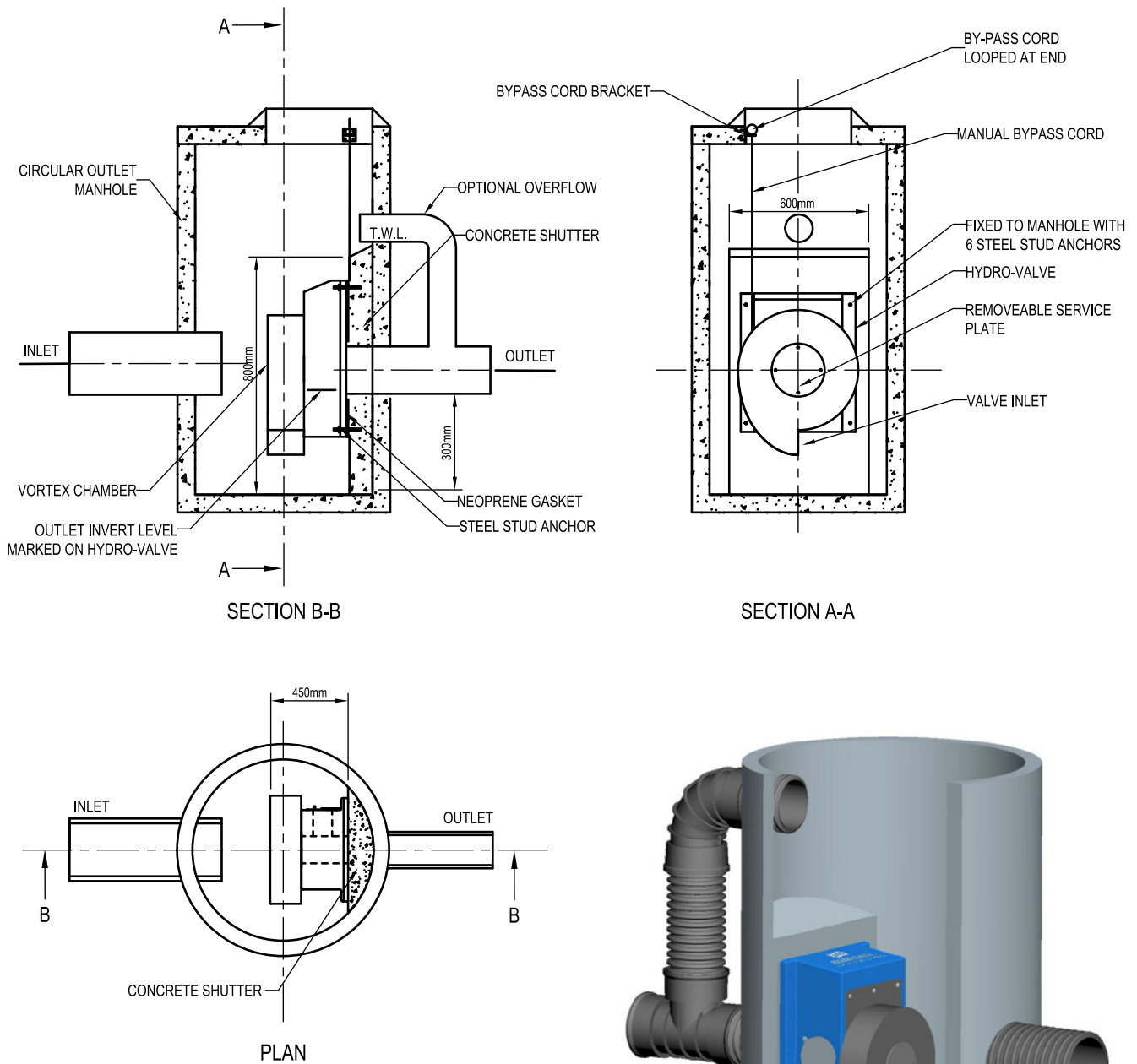


Figure 3 - Optional Overflow

Installation Drawing For Small Mounting Box In $\varnothing 1.05\text{m}$ / $\varnothing 1.8\text{m}$ / $\varnothing 2.1\text{m}$ / $\varnothing 2.4\text{m}$ Circular Manhole Chambers



Note:

- Typical installation drawing.
- Dimensions shown indicate typical ranges only.
- Actual dimensions dependent on specification.

IRELAND
 Tel. +353 93 24066
 Email. info@jfccivils.com

UNITED KINGDOM
 Tel. +44 1928 583391
 Email. infouk@jfccivils.com

Ref. HV-II-SMBF Rev. 001

This document and its informational content are strictly confidential and are the sole property of JFC Manufacturing Co. Ltd. and may not be copied or reproduced in any form without the prior written consent of JFC Manufacturing Co. Ltd. Typical dimensions shown, these may not represent actual dimensions. Contact for more information.