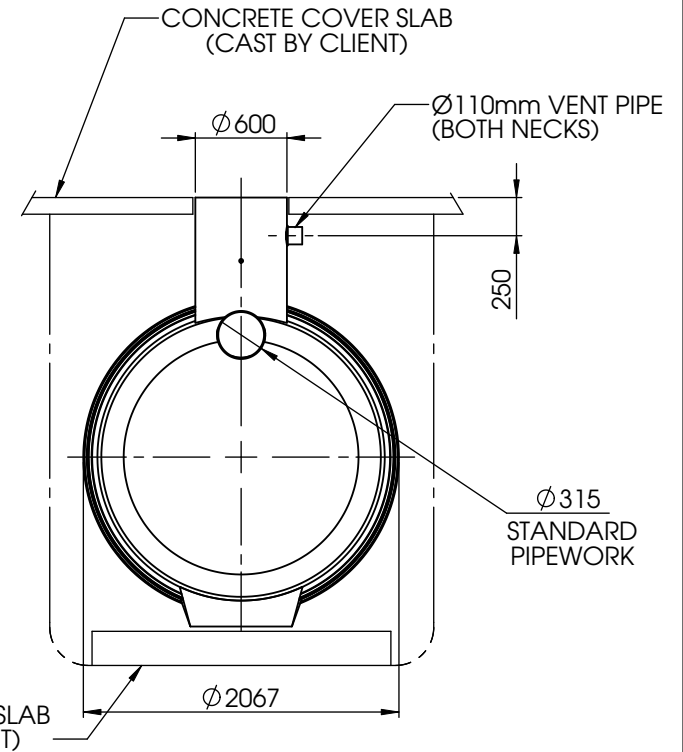
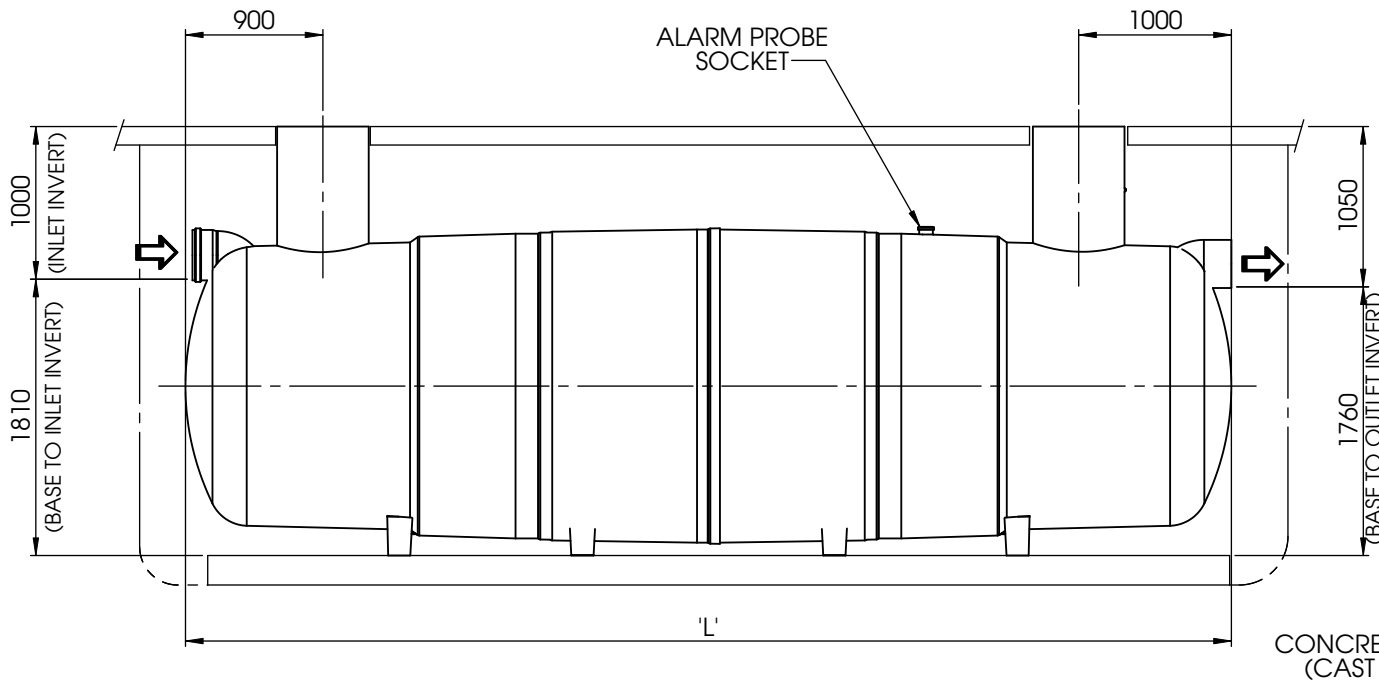
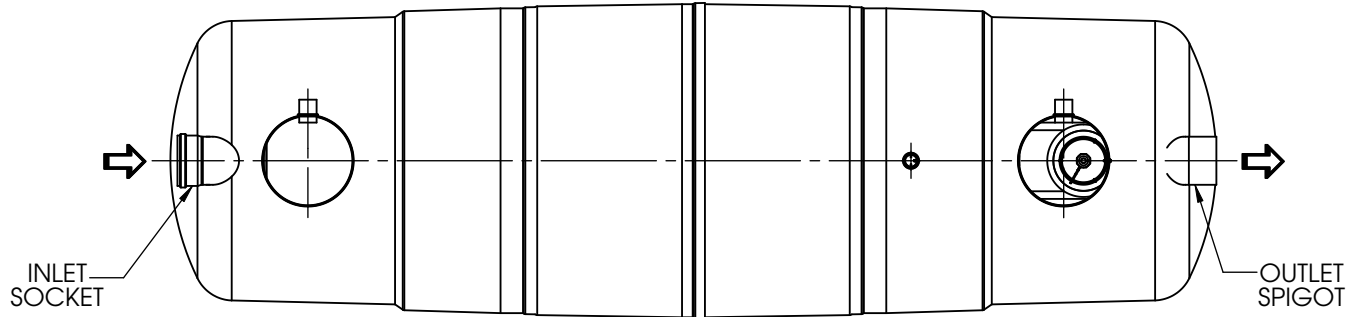


UNIT REF.	NOMINAL FLOW RATE (L/s)	APPROX. EMPTY WEIGHT (kg)	OVERALL LENGTH 'L'
NSFA020	20	575	3200
NSFA030	30	665	3915
NSFA040	40	740	4640
NSFA050	50	985	5425
NSFA065	65	1145	6850
INFORMATION COMMON FOR CLASS 1 & CLASS 2 UNITS			

NOTES:-

1. INLET/OUTLET PIPES ARE PLAIN PIPE Ø315mm PVCu. THE STANDARD EN858 STATES MINIMUM CONNECTION SIZES, UNITS ORDERED WITH DIFFERENT SIZED CONNECTIONS ARE NOT FULLY COMPLIANT WITH THE STANDARD.
2. PLEASE NOTE. A CLASS 1 SEPARATOR INCLUDES FILTER MEDIA, CLASS 2 DO NOT.
3. EXTENSION NECKS FOR DEEPER INVERTS CAN BE PROVIDED IN 0.5m INCREMENTS, FOR ON SITE ASSEMBLY. MAXIMUM 2.0m INVERT RECOMMENDED.
4. ALL UNITS REQUIRE APPROPRIATE COVER AND FRAME TO SUIT APPLIED LOADINGS.
5. THIS DRAWING SHOULD BE USED FOR DIMENSIONAL INFORMATION ONLY. IT IS ESSENTIAL THAT THIS DRAWING IS READ IN CONJUNCTION WITH INSTALLATION GUIDELINES SUPPLIED WITH UNIT. (COPIES ARE AVAILABLE FROM OUR SALES DEPARTMENT).
6. THIS DRAWING IS ALSO AVAILABLE ON OUR WEBSITE www.kingspanenv.com



Please check with Environmental Treatment Services Ltd that this drawing is the latest issue

Issue	Date	Drawn by	Description
02	29.01.09	JC	Update Border
01	30.04.08	T.Kelly	CC465 - Initial Release

Material : Various	Tolerance : ± 5mm
Finish : n/a	Thickness : n/a
Weight : n/a	Surface Area : n/a

Drawing : DS0911P

Page 1 of 1

NSFA020 - NSFA065 Full Retention Separators

All dimensions in mm

Scale: Not to scale

Kingspan reserve the right to alter the details of this drawing without prior notice. This drawing is copyright and may not be reproduced or used without the written permission of Kingspan.

