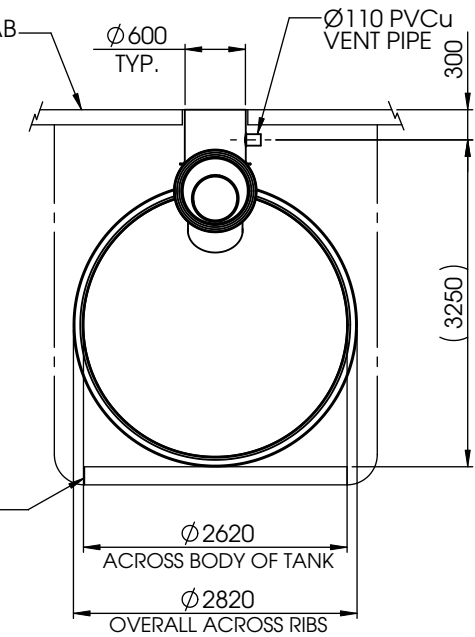
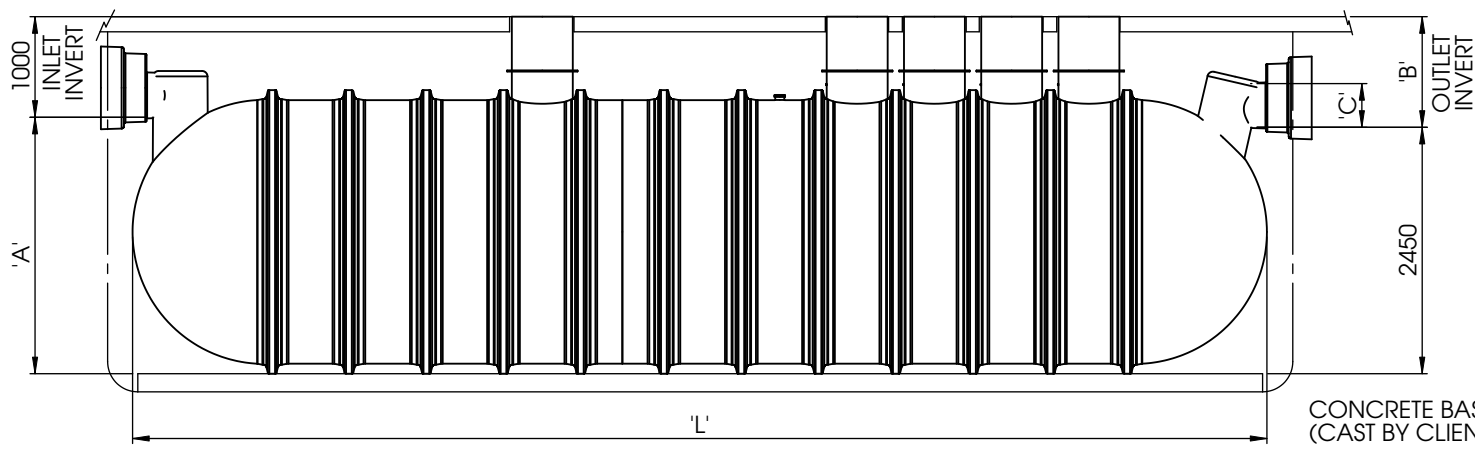


- NOTES**
1. UNITS ARE SUPPLIED WITH THE PIPE SIZES SHOWN IN THE TABLE. BS EN 858 STATES MINIMUM CONNECTION SIZES. UNITS ORDERED WITH DIFFERENT SIZE CONNECTIONS ARE NOT FULLY COMPLIANT WITH THE STANDARD. ALTERNATIVE CONNECTORS MAY BE ORDERED.
 2. EXTENSION NECKS FOR DEEPER INVERTS CAN BE PROVIDED IN 0.5m INCREMENTS FOR ON SITE ASSEMBLY. MAX 2.0m INVERT RECOMMENDED.
 3. ALL UNITS REQUIRE APPROPRIATE COVER & FRAME TO SUIT APPLIED LOADINGS.
 4. THIS DRAWING SHOULD BE USED FOR DIMENSIONAL INFORMATION ONLY. IT IS ESSENTIAL THAT THIS DRAWING IS READ IN CONJUNCTION WITH INSTALLATION GUIDELINES SUPPLIED WITH THE UNIT (COPIES ARE AVAILABLE FROM OUR SALES DEPT.).
 5. STANDARD PIPE ORIENTATION SHOWN. FOR OTHER AVAILABLE OPTIONS SEE TDS0033.
 6. THIS DRAWING IS ALSO AVAILABLE ON OUR WEBSITE www.kingspanenv.com



UNIT REF.	UNIT CLASS	NOMINAL FLOW RATE (L/s)	APPROX. EMPTY WEIGHT (kg)	'L' OVERALL LENGTH	'A' BASE TO INLET INVERT	'B' OUTLET INVERT	'C' STD. PIPE DIA. (GRP)	NECK 1 FITTED	NECK 2 FITTED	NECK 3 FITTED	NECK 4 FITTED
NSFA080	1 & 2	80	1250	5744	2500	1050	300	✓	✓		
NSFA100	1 & 2	100	1350	6200	2500	1050	375/400	✓	✓		
NSFA125	1 & 2	125	1700	7365	2500	1050	450	✓	✓	✓	
NSFA150	1 & 2	150	2000	8675	2550	1100	500/525	✓	✓	✓	
NSFA175	1 & 2	175	2400	9975	2550	1100	500/525	✓	✓	✓	✓
NSFA200	1 & 2	200	2700	11280	2550	1100	600	✓	✓	✓	✓

Please check with Envirocare that this drawing is the latest issue				Material : n/a		Tolerance : n/a	
Issue	Date	Drawn by	Description	Finish : n/a	Thickness : n/a		
02	JC	29.01.09	Update Border	Weight : n/a	Surface Area : n/a		
01	T.Kelly	31.10.07	CC465 - Initial Release				

Drawing : DS0896P Page 1 of 1

NSFA080 - NSFA200 Full Retention Separators

All dimensions in mm Scale: Not to scale

Kingspan reserve the right to alter the details of this drawing without prior notice. This drawing is copyright and may not be reproduced or used without the written permission of Kingspan.

