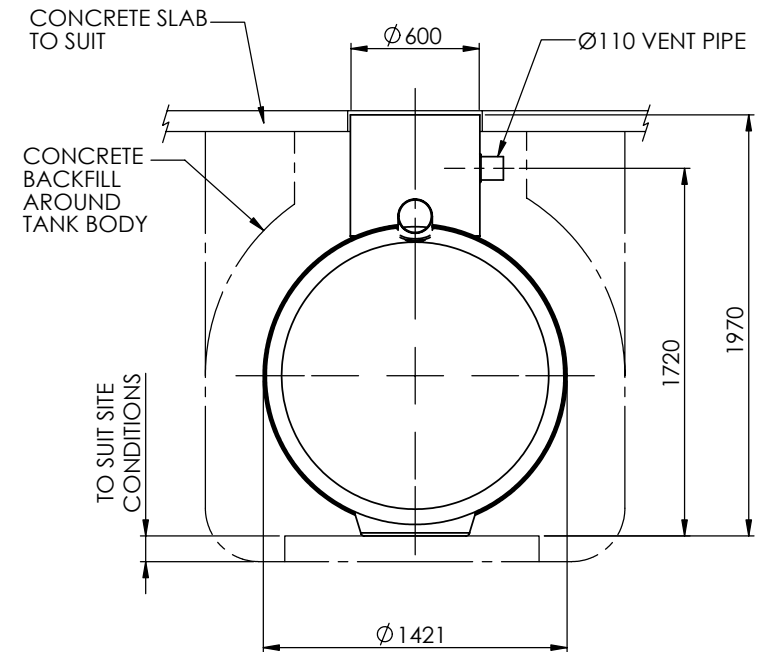
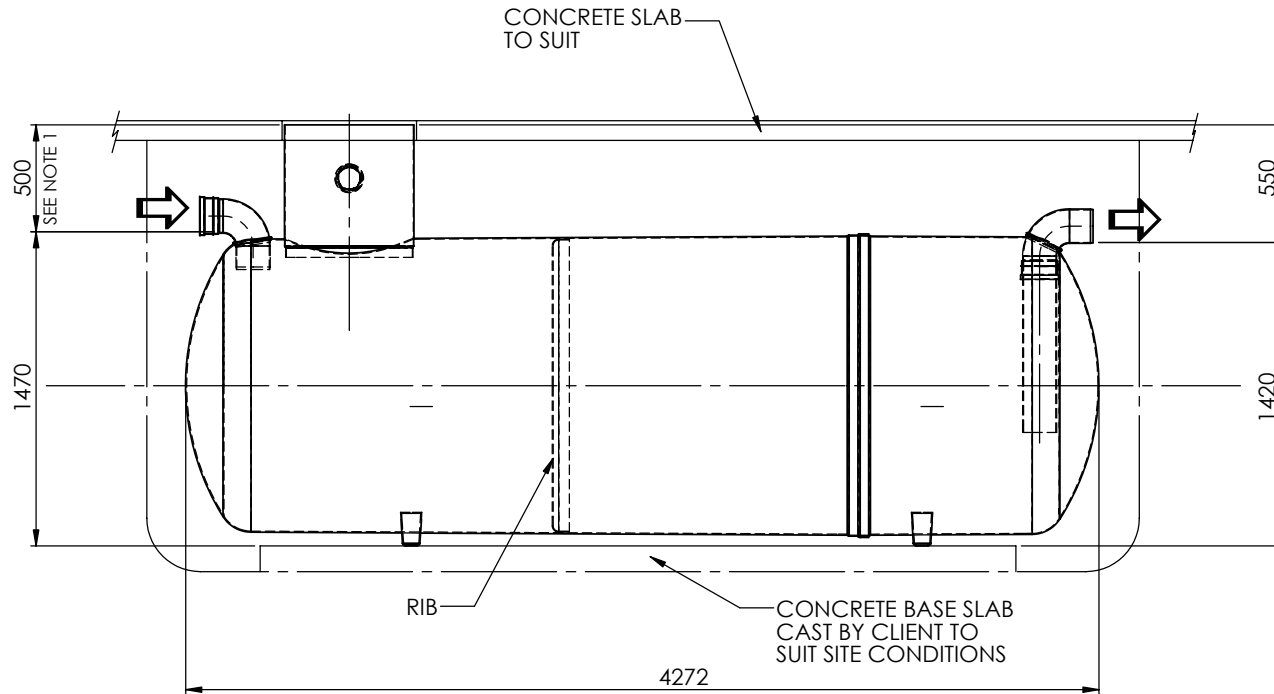


NOTES:-

1. UNITS CAN BE PROVIDED WITH EXTENSION SHAFTS IN 0.5m INCREMENTS.
2. STANDARD INLET/OUTLET PIPES ARE PVC_u UNDERGROUND DRAINAGE TO BS4660 & BS5481. FOR OTHER PIPE SIZES AND TYPES CONSULT THE SALES OFFICE.
3. IT IS ESSENTIAL THAT THIS DRAWING IS READ IN CONJUNCTION WITH DATA SHEET (SUPPLIED WITH UNIT) GIVING INSTALLATION DETAILS. THIS DRAWING SHOULD BE USED FOR DIMENSIONAL INFORMATION ONLY.

UNIT	WORKING CAPACITY	APPROX. WEIGHT		FALL ACROSS UNIT
		EMPTY	FULL	
W1/060	6000 Litres	300 Kg	6300 Kg	50



Please Check with Environmental Treatment Systems Limited For The Latest Issue Of This Drawing				Description	Material : Various	Tolerance (unless stated) :
Issue	Date	Drawn by	Approved by			
02	25.02.13	T.Kelly		CC1114 - Redrawn on SolidWorks - Introduction of New Ø1.4m Cases	Finish :	Thickness : n/a
					Weight : 176.24 Kg	Surface Area : m ²
					Modelled By : Name	

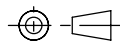
Drawing : DS0849P

Page 1 of 1

6000L Washdown & Silt Separator (1-Stage)

All Dimensions In mm

Scale: Do Not Scale



Third Angle Projection

R:\Drawing Data\02 - Sales Drawings\DS\DS - 08\DS0849P W1 6000L Wash Down & Silt Separator (1 Stage)

Kingspan Environmental reserve the right to alter the details of this drawing without prior notice. This drawing is copyright and may not be reproduced or used without the written permission of Kingspan Environmental

