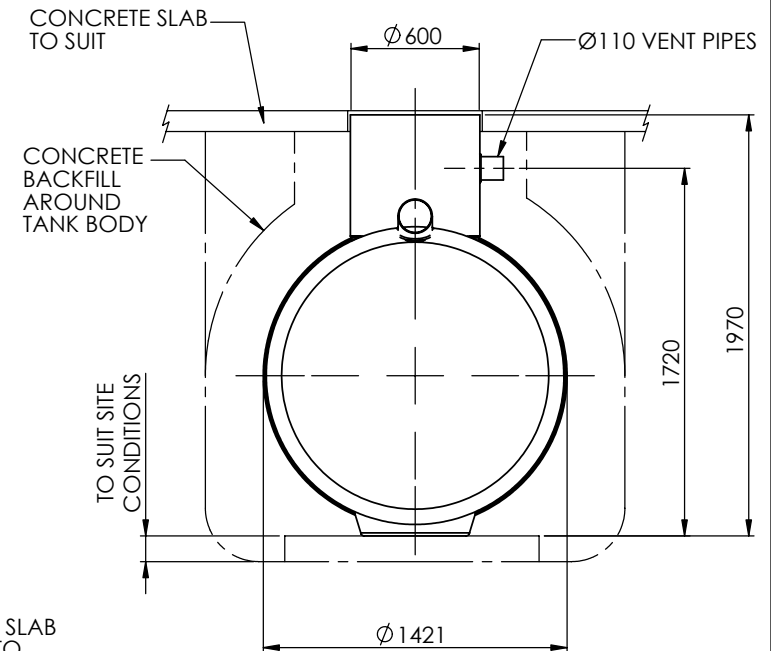
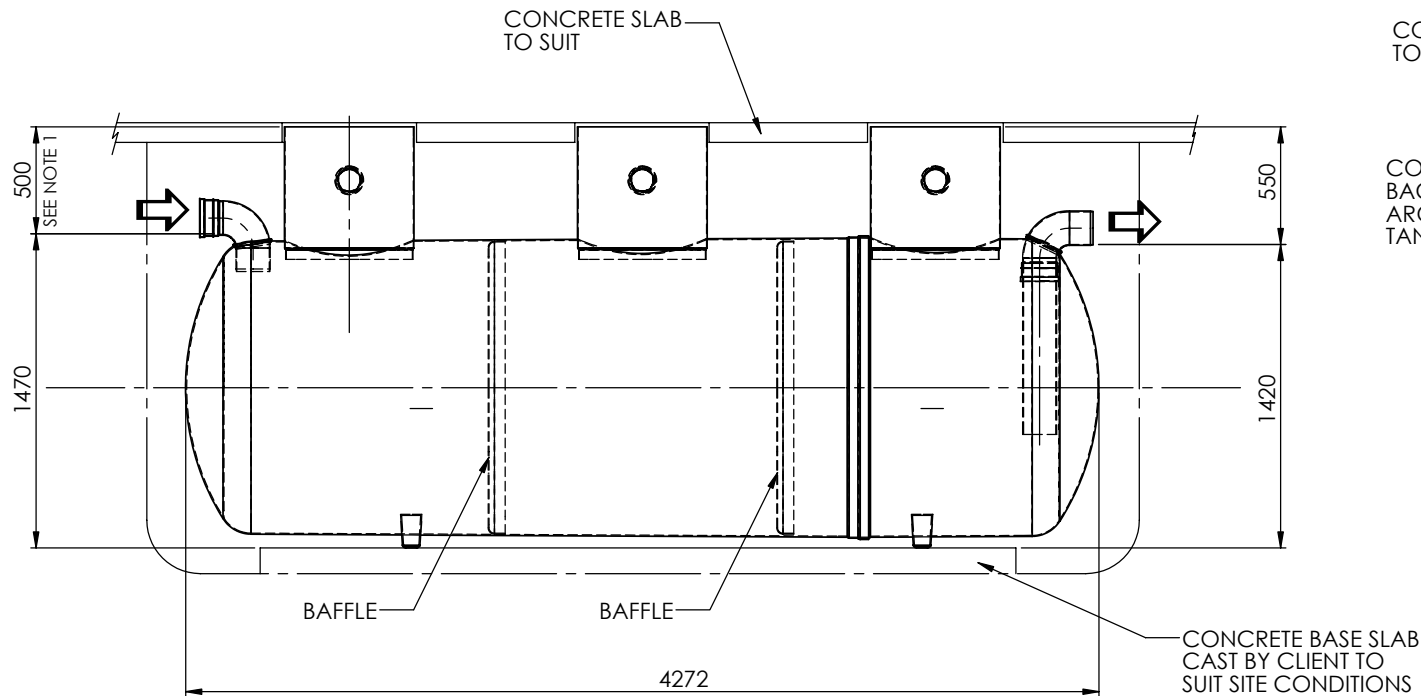


NOTES:-

1. UNITS CAN BE PROVIDED WITH EXTENSION SHAFTS IN 0.5m INCREMENTS.
2. STANDARD INLET/OUTLET PIPES ARE PVC_u UNDERGROUND DRAINAGE TO BS4660 & BS5481. FOR OTHER PIPE SIZES AND TYPES CONSULT THE SALES OFFICE.
3. IT IS ESSENTIAL THAT THIS DRAWING IS READ IN CONJUNCTION WITH DATA SHEET (SUPPLIED WITH UNIT) GIVING INSTALLATION DETAILS. THIS DRAWING SHOULD BE USED FOR DIMENSIONAL INFORMATION ONLY.

UNIT	WORKING CAPACITY	APPROX. WEIGHT		FALL ACROSS UNIT
		EMPTY	FULL	
W3/060	6000 Litres	300 Kg	6300 Kg	50



Please Check with Environmental Treatment Systems Limited For The Latest Issue Of This Drawing				Description
Issue	Date	Drawn by	Approved by	
02	25.02.13	T.Kelly		CC11114 - Redrawn on SolidWorks - Introduction of New Ø1.4m Cases

Material : Various	Tolerance (unless stated) :
Finish :	Thickness : n/a
Weight : 203.53 Kg	Surface Area : m ²
Modelled By : Name	

Drawing : DS0851P	Page 1 of 1
6000L Washdown & Silt Separator (3-Stage)	

All Dimensions In mm	Scale: Do Not Scale	Third Angle Projection
R:\Drawing Data\02 - Sales Drawings\DS\DS - 08\DS0851P W3 6000L Wash Down & Silt Separator (3 Stage)		

Kingspan Environmental reserve the right to alter the details of this drawing without prior notice. This drawing is copyright and may not be reproduced or used without the written permission of Kingspan Environmental

