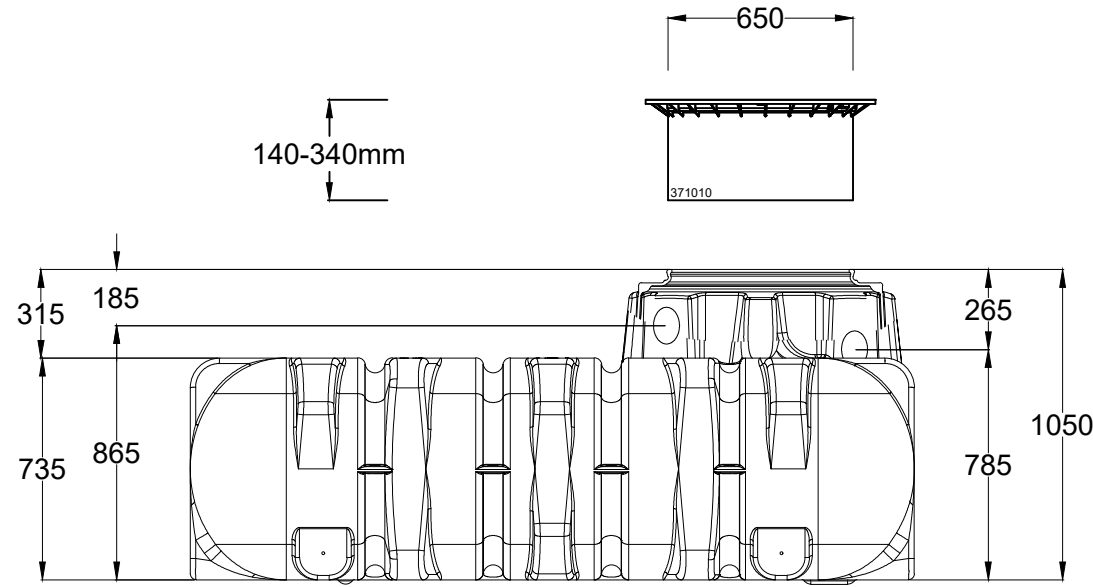


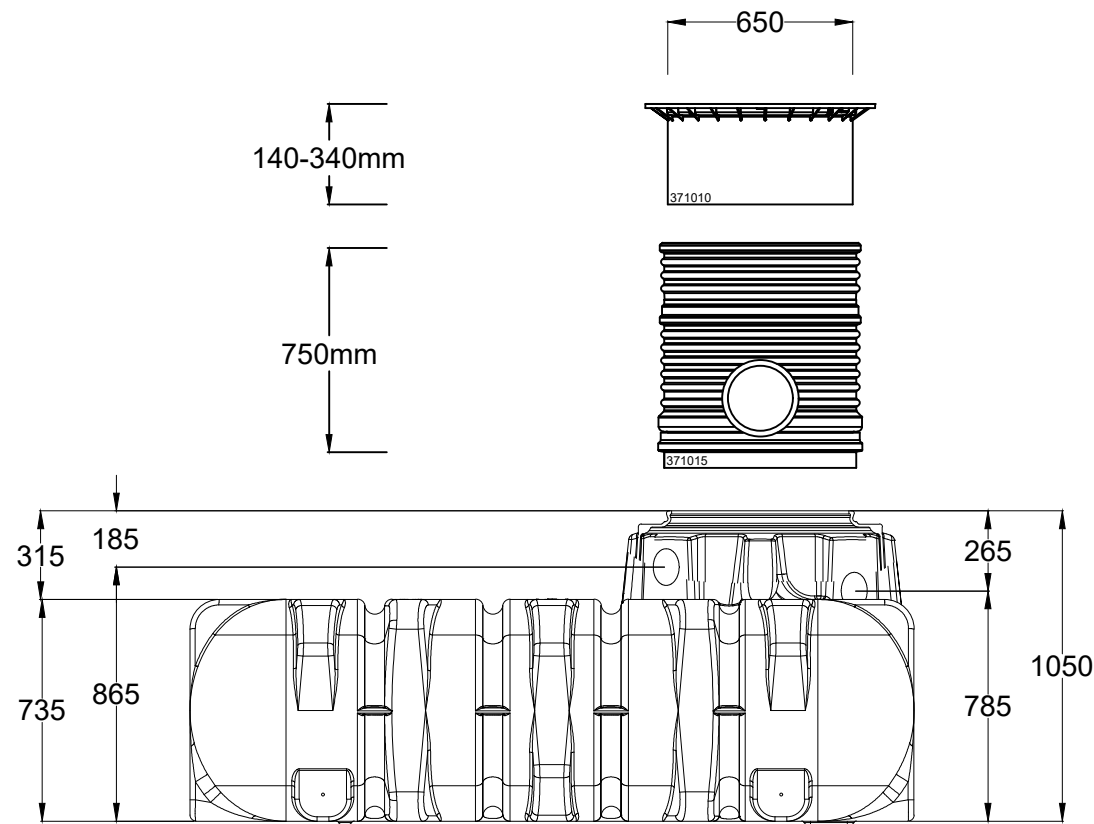
THIS DOCUMENT IS SUPPLIED IN STRICT CONFIDENCE AND MUST NOT BE LENT, REPRODUCED OR DISCLOSED TO ANY THIRD PARTY WITHOUT THE WRITTEN CONSENT OF GRAF UK LIMITED

DO NOT SCALE - IF IN DOUBT ASK

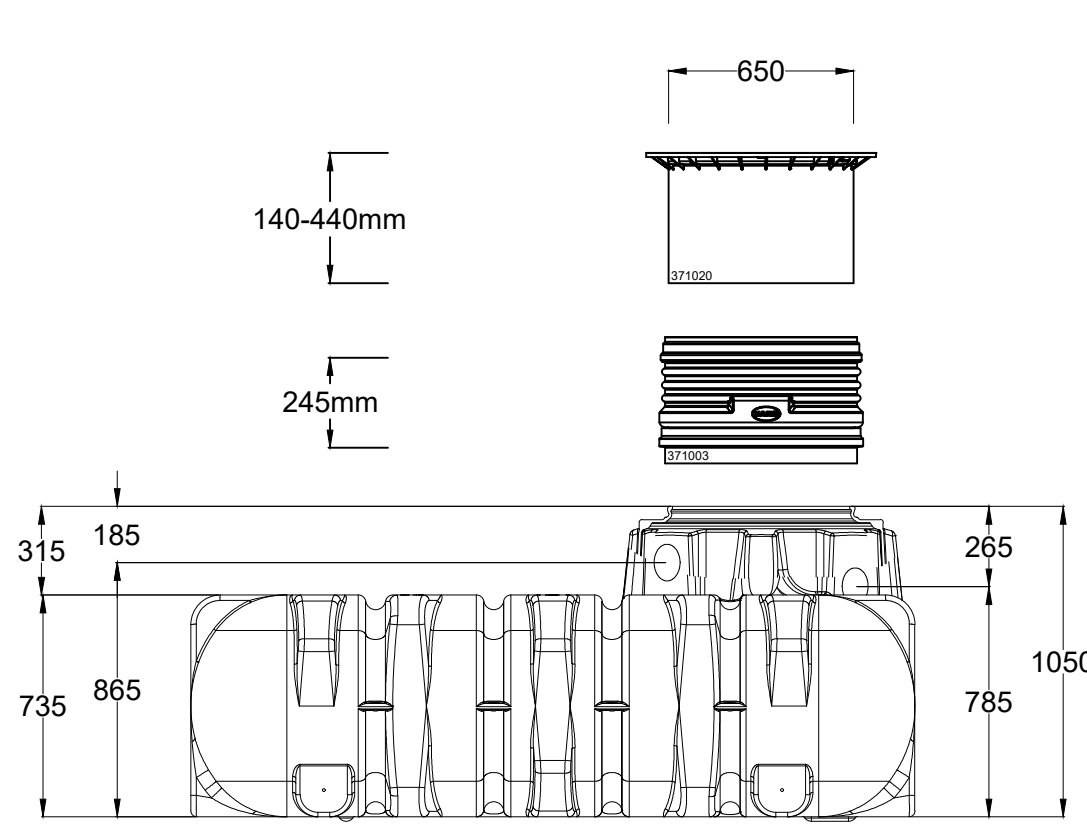
NOTES:-



Standard Supply



Pedestrian:
 Maximum Cover Level = 1200mm
 Maximum Invert Level = 1120mm



Vehicle:
 Maximum Cover Level = 1000mm
 Maximum Invert Level = 920mm

P0	FOR GUIDANCE	DS	08.06.20
REV.	DESCRIPTION	BY	DATE

GRAF GRAF UK Limited
 Graf UK Limited | Regen House | Beaumont Road | Banbury | OX16 1RH
 T: 01608 661500 F: 01295 211333
 E: info@grafuk.co.uk www.grafuk.co.uk

DRAWN :	DS	DATE :	08.06.20
CHECKED :	MC	SCALE :	NTS@A3

PROJECT
Rainwater Harvesting

DESCRIPTION
Platin Tank Levels

DRAWING No.	REV.
Platin Tank Levels	P0