

The
POWER TANK

Range by Pedrollo Distribution



**PACKAGED SOLUTION
FOR BOOSTING WATER**

POWERTANK



Increased Water Pressure & Flow



Compact Design



Quiet & Reliable



Ease of Installation



Dry Run Protection



Marked Product



Applications Include: Domestic, Commercial, Agricultural & Industrial

› Need to boost your water pressure?

There are many reasons for experiencing low water pressure problems including high demand, location and shared supply. The Powertank range is a self-contained cold water booster set specifically designed for use in domestic, commercial, agricultural & industrial applications where existing water pressure and flow is insufficient to meet demand. The range caters for multiple space and storage capacity requirements.

› Why do I need a tank and a pump?

To increase water flow there must first be more water. If your mains supply is not meeting your requirements, then you need a break tank to store your own water supply ready for when you need it. This can then be pumped to your outlets on demand giving you a plentiful supply of water at the right pressure.

› Why can't I just fit a pump onto the mains?

Water Authority bylaws prevent a pump being directly connected to the mains supply, so when your mains water pressure needs a boost, a break tank must be incorporated into the system. There is an exemption for pumps 'up to' 12 ltr/min but this is not guaranteed and relies on your mains being capable of delivering this volume. To put this into context, a single shower typically requires between 9-15 ltr/min.

› Will it be noisy?

All pumps create noise, but by incorporating an ultra-quiet running submersible pump within a tank unit, the Powertank range is about as quiet as you can get. Typical dB of <65dB(A)

› Is it easy to install?

Our all-in-one tank and pump unit is designed to remove the headache for installers. It is a packaged unit and therefore is fast and easy to install. See our Installation Guideline for step by step instructions.

› Where am I going to put it?

The Powertank range has been designed to provide the end user with a variety of options in terms of water storage and usage requirements as well as availability of space. Typical installation areas include garages, plant rooms, utility rooms and kitchens.

› What is the difference between the fixed speed and the variable speed version?

The fixed speed version has an automatic pump controller which provides the full performance of the pump on demand.

The variable speed version has an intelligent pump controller that will supply a smooth flow of water to every outlet by maintaining constant pressure throughout your property, speeding up and slowing down the pump to suit demand. This ensures efficient operation of the pump leading to reduced energy usage and a smoother user experience.

› What size property will this supply?

The Powertank range is scalable and additional capacity can be added for large properties or those with particularly poor incoming flow rates. We have designed the range to fit in all domestic and commercial properties (incoming flow rate and required usage must be taken into consideration). If you have a weak incoming water supply yet a high demand for water, you also have the option to link a slave tank to ensure you have enough stored water to meet demand.

› What if my tank runs out of water?

The controller will turn off the pump if there is no water in the tank. It will automatically reset after a short delay allowing the water volume in the tank to recover. This pump protection feature ensures a long and happy life for the pump.

› Volumes

All stated volumes are usable water volumes.

Powertank Compact: 125ltr

The Powertank Compact has been specifically designed for smaller properties with low water pressure and flow and where space is at a premium i.e. apartments, cottages, townhouses. Fitting into the space of a standard kitchen unit, the Powertank Compact is a similar size to a washing machine so can be hidden away behind a cupboard door. The electronic controller automatically starts and stops the pump when a drop in pressure is sensed i.e. a tap is opened and closed.



Key Features

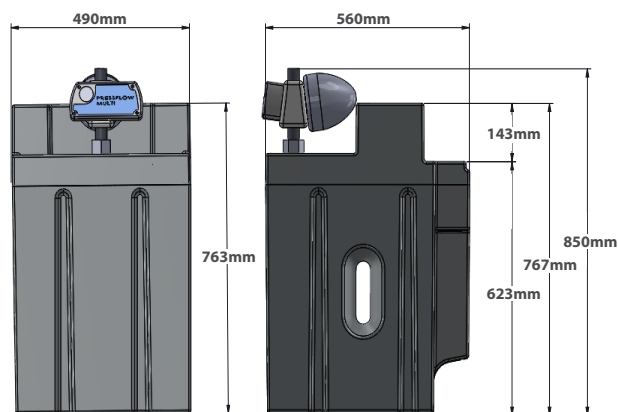
- Non-corrosive holding tank (WRAS approved material)
- Pre-fitted WRAS approved fill valve
- Integral overflow weir
- Minimal installation required
- Adjustable digital display flow controller
- Dry run protection with auto restart (time delay)

Range Options

Model
125ltr Compact Fixed Speed
125ltr Compact Variable Speed

System Connections

Connection	Size
Inlet	½" BSP
Outlet	1" BSP
Overflow	1 ½"
Drain Off	1" BSP



125ltr Compact

	Fixed Speed Option	Variable Speed Option
Power supply	240 volt, 50Hz	240 volt, 50Hz
Controller	Presflo 1.5 supplied with 2ltr pressure vessel	Steadypres M/T 07 supplied with 2ltr pressure vessel
Current Input	3.4 amp	3 amp
Mains Power Cable	2 mtr x 1mm ² 3 core fitted with 5 amp fuse main plug	2 mtr x 1mm ² 3 core fitted with 5 amp fuse main plug
Tank Weight Empty	27 kg	33 kg
Tank Weight Full	1ltr = 1 kg plus weight of empty tank	1ltr = 1 kg plus weight of empty tank
Access Cover Ø	190mm	168mm

Pump Option	Power		Q l/min	0	10	20	30	40	50	60	70	80
	kW	HP										
Fixed Speed	0.55	0.75	H Metres	42	40	38	34	30	24	18	11.5	5
Variable Speed	0.55	0.75	H Metres	48	46	44.5	42.8	40.5	37.5	33.5	29	23

Powertank Slimline: 200ltr & 300ltr

The Powertank Slimline range can fit through a standard doorway. This makes it very convenient for new or existing properties as it can be easily fitted under a stairs, in a garage, or in a utility room. The slimline range is ideal for 3 - 5 bedroom houses, with poor water pressure and flow and where floor space is limited. It is electronically controlled through a flow switch unit which starts and stops the pump automatically when a tap is opened and closed.

Key Features

- Non-corrosive holding tank (WRAS approved material)
- Pre-fitted WRAS approved fill valve
- Protective lid enclosure as standard
- Minimal installation requirement
- Adjustable digital display flow controller
- Dry run protection with auto restart (time delay)

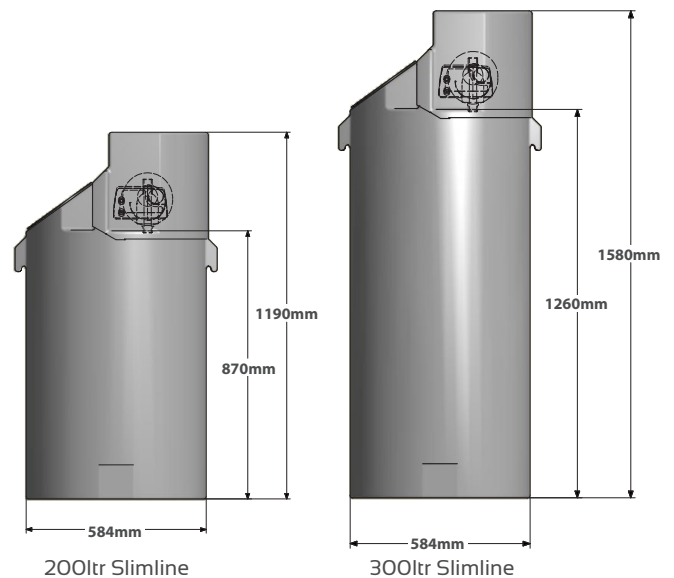


Range Options

Model
200ltr Slimline Fixed Speed
200ltr Slimline Variable Speed
300ltr Slimline Fixed Speed
300ltr Slimline Variable Speed

System Connections

Connection	Size
Inlet	1/2" BSP
Outlet	1" BSP
Overflow	1" BSP
Drain Off	1" BSP



	Fixed Speed Option		Variable Speed Option	
Power supply	240 volt, 50Hz		240 volt, 50Hz	
Controller	Presflo Multi with integral 3 litre pressure vessel		Steadypres M/T 07 supplied with 8ltr pressure vessel	
Current Input	3.4 amp		4 amp	
Mains Power Cable	2 mtr x 1mm ² 3 core fitted with 5 amp fuse main plug		2 mtr x 1mm ² 3 core fitted with 5 amp fuse main plug	
Tank Weight Empty	200ltr = 26kg	300ltr = 29kg	200ltr = 32kg	300ltr = 35kg
Tank Weight Full	1ltr = 1 kg plus weight of empty tank		1ltr = 1 kg plus weight of empty tank	
Access Cover Ø	285mm		285mm	

Pump Option	Power		Q l/min	0	10	20	30	40	50	60	70	80
	kW	HP										
Fixed Speed	0.55	0.75	H Metres	42	40	38	34	30	24	18	11.5	5
Variable Speed	0.75	1	H Metres	63	61	59	57	54	50	45	39	31

Powertank Utility: 500ltr, 750ltr

The Powertank Utility pumping range is designed for domestic and light commercial use where there is low mains water pressure and where pressure fluctuates. It is electronically controlled through a flow switch unit which starts and stops the pump automatically when a tap is opened and closed. The Utility range is designed for areas where the floor space is not restricted. This range caters for a wider variation of tank options to suit a wider range of applications.



Key Features

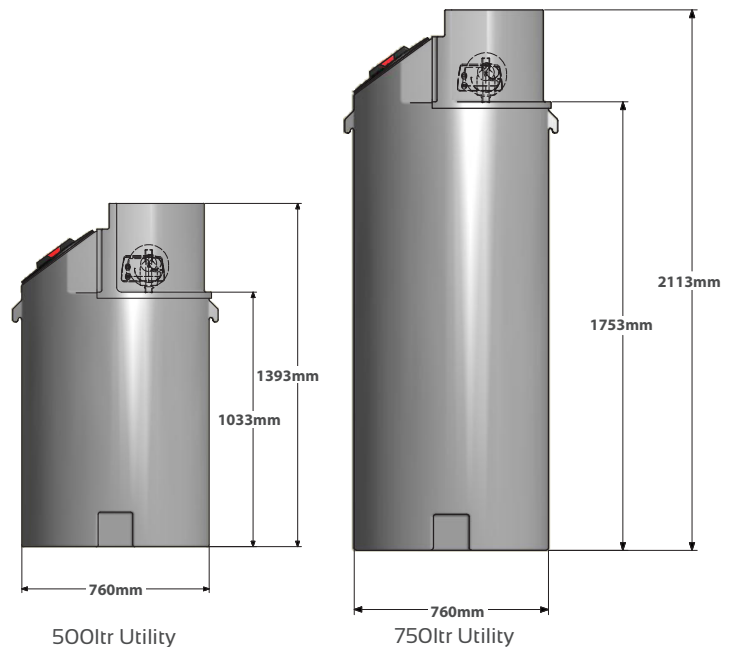
- Non-corrosive holding tank (WRAS approved material)
- Pre-fitted WRAS approved fill valve
- Protective lid enclosure as standard
- Minimal installation requirement
- Adjustable digital display flow controller
- Dry run protection with auto restart (time delay)

Range Options

Model
500ltr Utility Fixed Speed
500ltr Utility Variable Speed
750ltr Utility Fixed Speed
750ltr Utility Variable Speed

System Connections

Connection	Size
Inlet	½" BSP
Outlet	1" BSP
Overflow	1" BSP
Drain Off	1" BSP



	Fixed Speed Option	Variable Speed Option
Power supply	240 volt, 50Hz	240 volt, 50Hz
Controller	Presflo Multi with integral 3 litre pressure vessel	Steadypres M/T 07 supplied with 8ltr pressure vessel
Current Input	3.4 amp	4 amp
Mains Power Cable	2 mtr x 1mm ² 3 core fitted with 5 amp fuse main plug	2 mtr x 1mm ² 3 core fitted with 5 amp fuse main plug
Tank Weight Empty	500ltr = 34kg 750ltr = 49kg	500ltr = 40kg 750ltr = 55kg
Tank Weight Full	1ltr = 1 kg plus weight of empty tank	1ltr = 1 kg plus weight of empty tank
Access Cover Ø	285mm	285mm

Pump Option	Power		Q l/min	0	10	20	30	40	50	60	70	80
	kW	HP										
Fixed Speed	0.55	0.75	H Metres	42	40	38	34	30	24	18	11.5	5
Variable Speed	0.75	1	H Metres	63	61	59	57	54	50	45	39	31

Powertank Utility: 650ltr & 1000ltr

The Powertank Utility pumping range is designed for commercial use on a larger scale where there is low mains water pressure and where pressure fluctuates. It is electronically controlled through a flow switch unit which starts and stops the pump automatically when a tap is opened and closed. The Utility range is designed for areas where the floor space is not restricted. This range caters for a wider variation of tank options to suit a wider range of applications.



Key Features

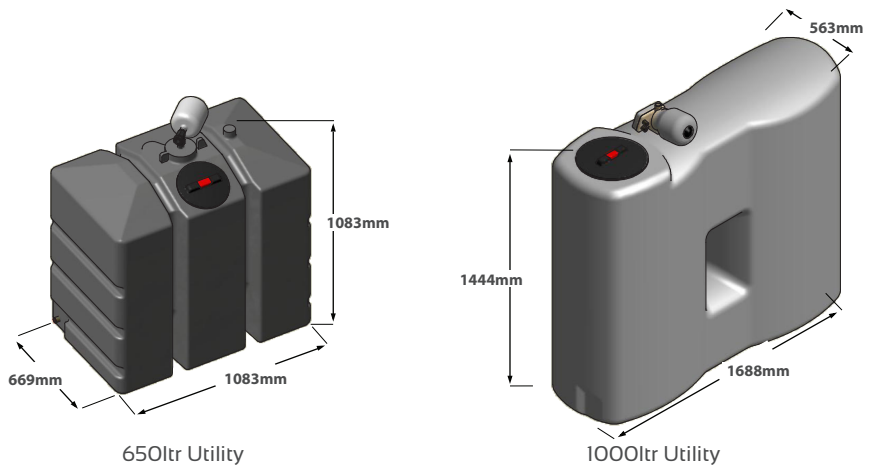
- Non-corrosive holding tank (WRAS approved material)
- Pre-fitted WRAS approved fill valve
- Minimal installation requirement
- Adjustable digital display flow controller
- Dry run protection with auto restart (time delay)

Range Options

Model
650ltr Utility Fixed Speed
650ltr Utility Variable Speed
1000ltr Utility Fixed Speed
1000ltr Utility Variable Speed

System Connections

Connection	Size
Inlet	1/2" BSP
Outlet	1" BSP
Overflow	1" BSP
Drain Off	1" BSP



	Fixed Speed Option	Variable Speed Option
Power supply	240 volt, 50Hz	240 volt, 50Hz
Controller	Presflo Multi with integral 3 litre pressure vessel	Steadypres M/T 07 supplied with 8ltr pressure vessel
Current Input	3.4 amp	4 amp
Mains Power Cable	2 mtr x 1mm ² 3 core fitted with 5 amp fuse main plug	2 mtr x 1mm ² 3 core fitted with 5 amp fuse main plug
Tank Weight Empty	650ltr = 54kg 1000ltr = 74kg	650ltr = 60kg 1000ltr = 80kg
Tank Weight Full	1ltr = 1 kg plus weight of empty tank	1ltr = 1 kg plus weight of empty tank
Access Cover Ø	285mm	285mm

Pump Option	Power		Q l/min	0	10	20	30	40	50	60	70	80
	kW	HP										
Fixed Speed	0.55	0.75	H Metres	42	40	38	34	30	24	18	11.5	5
Variable Speed	0.75	1	H Metres	63	61	59	57	54	50	45	39	31

Powertank Rectangular: 270ltr

The Powertank Rectangular range is designed for houses and apartments where there is low mains water pressure and where pressure fluctuates. It is electronically controlled through a flow switch unit which starts and stops the pump automatically when a tap is opened and closed. The Powertank Rectangular 270ltr tank is designed for areas where height restrictions and access are an issue.



Key Features

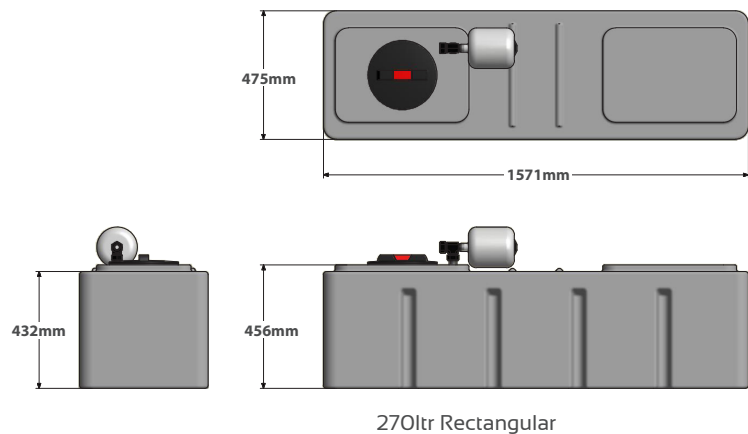
- Non-corrosive holding tank (WRAS approved material)
- Pre-fitted WRAS approved fill valve
- Minimal installation requirement
- Adjustable digital display flow controller
- Dry run protection with auto restart (time delay)

Range Options

Model
270ltr Rectangular Fixed Speed

System Connections

Connection	Size
Inlet	½" BSP
Outlet	1" BSP
Overflow	1" BSP
Drain Off	1" BSP



	Fixed Speed Option
Power supply	240 volt, 50Hz
Controller	Presflo Multi with integral 3 litre pressure vessel
Current Input	3.4 amp
Mains Power Cable	2 mtr x 1mm ² 3 core fitted with 5 amp fuse main plug
Tank Weight Empty	32kg
Tank Weight Full	1ltr = 1 kg plus weight of empty tank
Access Cover Ø	190mm

Pump Option	Power		Q l/min	0	10	20	30	40	50	60	70	80
	kW	HP										
Fixed Speed	0.55	0.75	H Metres	42	40	38	34	30	24	18	11.5	5

Powertank Rectangular: 300 & 500ltr

The Powertank Rectangular pumping range is designed for domestic and light commercial use where there is low mains water pressure and where pressure fluctuates. It is electronically controlled through a flow switch unit which starts and stops the pump automatically when a tap is opened and closed. The Rectangular range is designed for areas where the floor space is not restricted but where height restrictions are an issue.

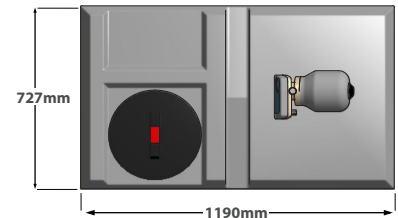
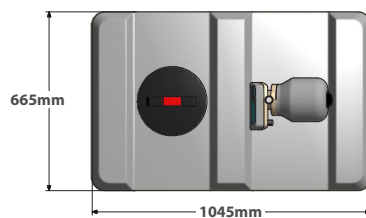


Key Features

- Non-corrosive holding tank (WRAS approved material)
- Pre-fitted WRAS approved fill valve
- Minimal installation requirement
- Adjustable digital display flow controller
- Dry run protection with auto restart (time delay)

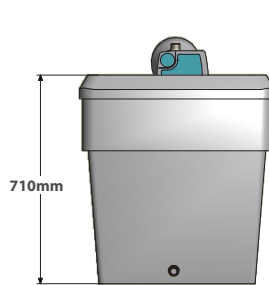
Range Options

Model
300ltr Rectangular Fixed Speed
300ltr Rectangular Variable Speed
500ltr Rectangular Fixed Speed
500ltr Rectangular Variable Speed

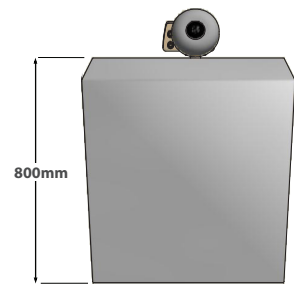


System Connections

Connection	Size
Inlet	1/2" BSP
Outlet	1" BSP
Overflow	1" BSP
Drain Off	1" BSP



300ltr Rectangular



500ltr Rectangular

	Fixed Speed Option		Variable Speed Option	
Power supply	240 volt, 50Hz		240 volt, 50Hz	
Controller	Presflo Multi with integral 3 litre pressure vessel		Steadypres M/T 07 supplied with 8ltr pressure vessel	
Current Input	3.4 amp		4 amp	
Mains Power Cable	2 mtr x 1mm ² 3 core fitted with 5 amp fuse main plug		2 mtr x 1mm ² 3 core fitted with 5 amp fuse main plug	
Tank Weight Empty	300ltr = 34kg	500ltr = 39kg	300ltr = 40kg	500ltr = 45kg
Tank Weight Full	1ltr = 1 kg plus weight of empty tank		1ltr = 1 kg plus weight of empty tank	
Access Cover Ø	285mm		285mm	

Pump Option	Power		Q l/min	0	10	20	30	40	50	60	70	80
	kW	HP										
Fixed Speed	0.55	0.75	H Metres	42	40	38	34	30	24	18	11.5	5
Variable Speed	0.75	1	H Metres	63	61	59	57	54	50	45	39	31

Powertank Bunded: 250ltr & 650ltr

The Powertank Bunded pumping range is designed for commercial use where there is low mains water pressure and where pressure fluctuates. Every Powertank Bunded tank benefits from a 'tank within a tank' bunded construction, with the outer tank able to maintain a minimum of 110% of the volume of the inner tank. The inner tank acts as the primary storage container, whilst the outer tank acts as a fail safe in the event of a spill.

It is electronically controlled through a flow switch unit which starts and stops the pump automatically when a tap is opened and closed. The Bunded range is designed for areas where the floor space is not restricted.

Key Features

- Non-corrosive holding tank (WRAS approved material)
- Pre-fitted WRAS approved fill valve
- Protective lid enclosure as standard
- Minimal installation requirement
- Built-in electronic start/stop
- Dry run protection with auto restart (time delay)

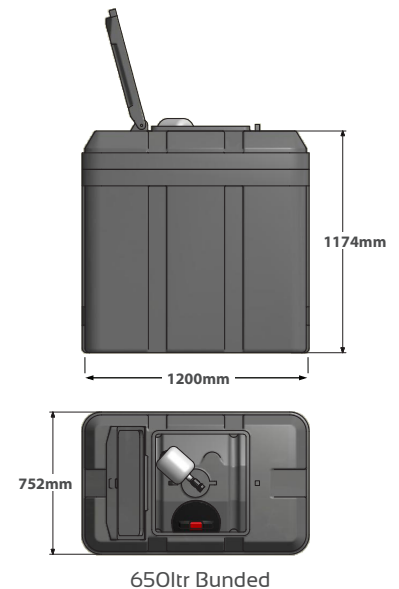
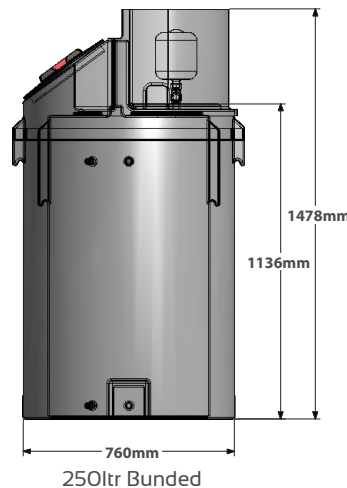


Range Options

Model
250ltr Bunded Fixed Speed
250ltr Bunded Variable Speed
650ltr Bunded Fixed Speed
650ltr Bunded Variable Speed

System Connections

Connection	Size
Inlet	½" BSP
Outlet	1" BSP
Overflow	1" BSP
Drain Off	1" BSP



	Fixed Speed Option	Variable Speed Option
Power supply	240 volt, 50Hz	240 volt, 50Hz
Controller	Presflo Multi with integral 3 litre pressure vessel	Steadypres M/T 07 supplied with 8ltr pressure vessel
Current Input	3.4 amp	4 amp
Mains Power Cable	2 mtr x 1mm ² 3 core fitted with 5 amp fuse main plug	2 mtr x 1mm ² 3 core fitted with 5 amp fuse main plug
Tank Weight Empty	250ltr = 49kg 650ltr = 94kg	250ltr = 55kg 650ltr = 100kg
Tank Weight Full	1ltr = 1 kg plus weight of empty tank	1ltr = 1 kg plus weight of empty tank
Access Cover Ø	Internal 190mm, External 285mm	Internal 190mm, External 285mm

Pump Option	Power		Q l/min	0	10	20	30	40	50	60	70	80
	kW	HP										
Fixed Speed	0.55	0.75	H Metres	42	40	38	34	30	24	18	11.5	5
Variable Speed	0.75	1	H Metres	63	61	59	57	54	50	45	39	31

Powertank CAT 5: 10ltr

The Powertank CAT 5 provides backflow protection for fluid category 5 risks. Our system includes a type AB air-gap and has a water volume of 10 ltrs. We supply this tank with a self priming jet pump to ensure smooth operation. The electronic controller automatically starts and stops the pump when a drop in pressure is sensed i.e. a tap is opened and closed.

Key Features

- Non-corrosive holding tank
- Pre-fitted WRAS approved fill valve
- Integral screened overflow weir
- Minimal installation requirement
- Adjustable digital display flow controller
- Dry run protection with auto restart (time delay)
- Self Priming Jet Pump
- CAT 5

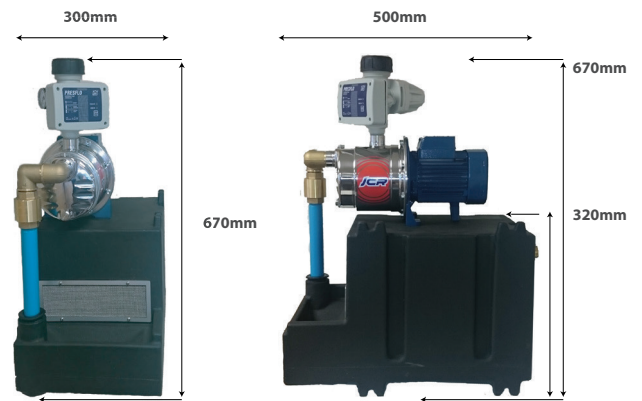


Range Options

Model
10ltr CAT 5 Fixed Speed

System Connections

Connection	Size
Inlet	¾" BSP
Outlet	1" BSP
Overflow	40mm Wastepipe



10ltr CAT 5

	Fixed Speed Option
Power supply	240 volt, 50Hz
Pump	JCRm1C-N
Controller	Presflo
Current Input	3.4 amp
Mains Power Cable	2 mtr x 1mm ² 3 core fitted with 5 amp fuse main plug
Tank Weight Empty	14 kg
Tank Weight Full	1ltr = 1 kg plus weight of empty tank
Access Cover Ø	N/A

Pump Option	Power		Q l/min	0	5	10	20	25	30	40	45	50	60
	kW	HP											
JCRm1C-N	0.37	0.5	H Metres	35	32	28.5	23.5	21	18.5	15	13.5	12	10

POWER TANK

Components



Top Multi II

- Flow rate up to 80ltr/min
- Head pressure up to 4.2 bar
- Max liquid temperature 40°C
- Power consumption 0.55kW



Top Multi-Tech (Auto)

- Flow rate up to 80ltr/min
- Head pressure up to 4.2 bar
- Built-in electronic start/stop
- Dry running protection
- Power consumption 0.55kW



NKM 2/3 - N Pump

- Flow rate up to 80ltr/min
- Head pressure up to 4.6 bar
- Power consumption 0.55kW



NKM 2/4 - N Pump

- Flow rate up to 80ltr/min
- Head pressure up to 6 bar
- Power consumption 0.75kW



Presflo Multi

- LCD display unit
- Adjustable cut-in feature
- 3ltr surge tank
- Dry running protection with auto restart
- Resin bonded electronics



Pressure Vessel 2ltr or 8ltr

- Stainless steel nipple 1"
- 10 bar working pressure
- WRAS approved product



Presflo

- LCD display unit
- 1.5 bar cut-in pressure
- Dry running protection with auto restart
- Resin bonded electronics



Wall Bracket Support for Pressure Vessel

- Adjustable arm length
- 1" connection



Steady Pres

- LCD display unit
- Energy efficient
- Dry running protection
- Excessively frequent starts
- Over-current protection



Conversion Kit for Compact Model

- 1m flexible inlet hose, 15mm Aquavend, Speedfit connection
- 600mm flexible outlet hose, 22mm Aquavend, Speedfit connection
- HEPVO 40mm CVI self sealing trap with CV3 adapter
- McAlpine Flexcon 2 450mm flexible waste pipe
- 90° elbow 40mm, 100mm x 40mm waste pipe



Slimline Drip Tray

- Suitable for 200/300ltr Slimline range
- 1" overflow connection
- Lift handles



UV Filtration

- Flow rate up to 70ltr/min at 30mJ/cm²
- Ultra violet disinfection
- Includes 5 micron pre-filtration
- 1" Connections
- 60 WATT

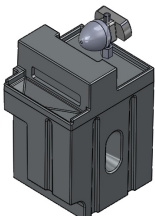
Slave Tanks

The Powertank is a single pump booster set for cold water storage with capacity options ranging from 125ltr to 1000ltr. By simply adding an additional 'slave' tank, water storage capacity can be increased.

Compact

Model

125ltr tank only



Slimline

Model

200ltr tank only

300ltr tank only



Utility

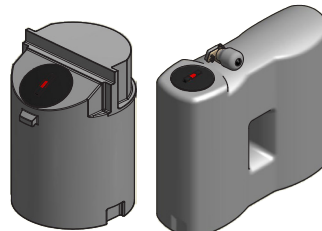
Model

500ltr tank only

650ltr tank only

750ltr tank only

1000ltr tank only



Rectangular

Model

270ltr tank only

300ltr tank only

500ltr tank only



Please note that we have a policy of continuous product development and specifications may change from those shown

Other Products in the Water Boosting Range

Here at Pedrollo Distribution we know that everybody's requirements are different and the Powertank may not always be the correct option. We have a range of water boosting products that ensure we have a solution whatever your situation.

- › **Water Boosting for Unvented Systems (Where you already have a Tank)**
Our range of single pump and controllers can be fitted in any unvented system where you may already have a cold water tank, or you would like to source your own.
- › **Water Boosting for Gravity Fed Systems (Vented)**
Our range of twin pumps and controllers can be fitted onto the hot and cold feeds to ensure equal pressure throughout your property.
- › **Water Boosting for Unvented Systems with Good Pressure and Low Flow**
Our accumulators are a low cost option for properties with good pressure but low flow. These fill up with pressurised water from the mains when demand is low which provides a reserve of water when you need it.
- › **Bespoke Solutions – Built to Order**
If our standard offerings don't meet your requirements we have a comprehensive range of pumps, tanks and controls which can be combined to suit your specific application.

The Powerboost Range

Pedrollo Distribution introduces the POWERBOOST range of clean water booster sets for the supply of water for domestic, commercial, agricultural, industrial and municipal markets.



FLOW



PRO



CUBE

www.power-boost.co.uk

Pedrollo Distribution Ltd
Crossfield Fort
Crossfield Road Industrial Estate
Lichfield
WS13 6RJ

t: 01543 415200
f: 01543 415900

e: sales@pedrollo.co.uk
w: www.pedrollo.co.uk
www.powertank.co.uk