

Receiver

 Society
 Reference
 Address
 Phone
 Fax
 E-mail

From

 DAB Pumps LTD
 Mehmet, Nick
 -
 0788137678
 -
 nick.mehmet@dwgroup.com

Item n° :

103040040

Model :

FEKA VS 750 M - A

Pump data

 Free passage : 50 mm
 Pressure rating :
 Min. fluid temperature : 0
 Max. fluid temperature : 50 °C
 Max. Ambient temperature : 40 °C

Requested data

 Flow : 0 l/s
 Head : 0 m
 Fluid : Water
 Fluid Temperature : 20 °C
 Density : 62.315 lb/ft³
 Kinematic viscosity : 1.0769E-5 ft²/s
 Vapor pressure : 2.2045 kPa

Hydraulic data (duty point)

 Flow :
 Head :

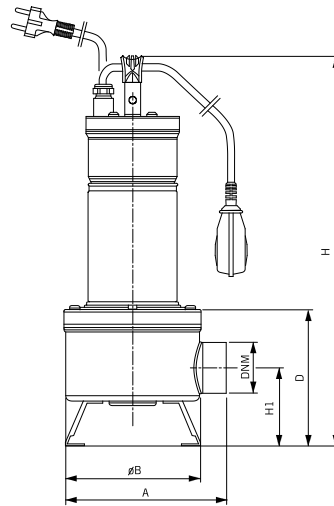
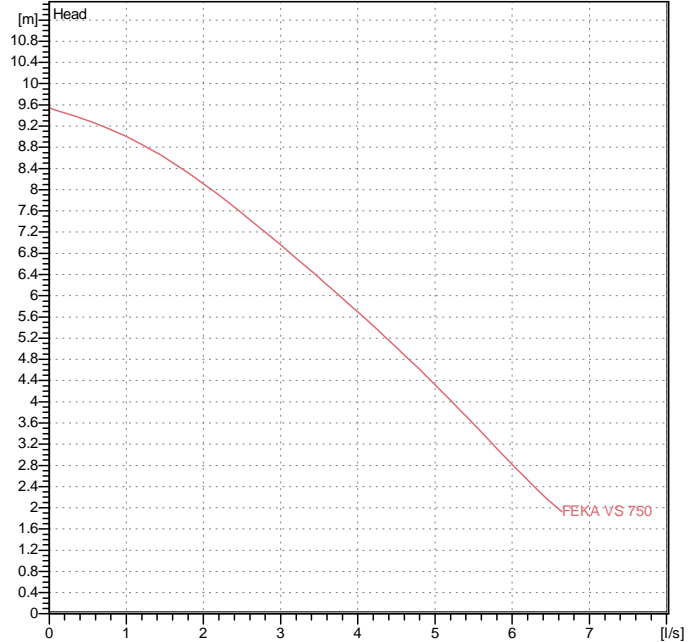
Materials

 Pump body : Stainless Steel (AISI 304)
 Impeller : Stainless Steel (AISI 304)
 Motor shaft : AISI 316
 Seal disk : Stainless Steel (AISI 304)
 Motor casing : Stainless Steel (AISI 304)
 Protection cover : Stainless Steel (AISI 304)
 Mechanical seal pump side : Silicon carbide/Silicon carbide

Motor data

 Motor brand : DAB
 Nominal power P2 : 1.0058 hp
 Rated speed : 2800 rpm
 Rated voltage : 1~ 220-240 V
 Nominal current : 5.13 A
 Degree of protection : IP 68

50 Hz

Curve tolerance according to ISO 9906

Weight : 38.58 lb

Dimensions in mm

Dimension	Value				
A	203				
B	170				
D	172				
DNM	2" F				
H	492				
H1	98				

Pump connection

 Suction side : /
 Discharge side : 2" F / --