

ENDURATANK[®]

A Division of ENDURAMAXX

Rainwater Filter Kit - Kit B
Installation Guide



Think Tank
Think ENDURATANK[®]

01778 562810 www.enduratank.co.uk
enduratank@enduramaxx.co.uk

Enduratank is a Registered Trading Name of Enduramaxx Limited.



ENDURATANK®

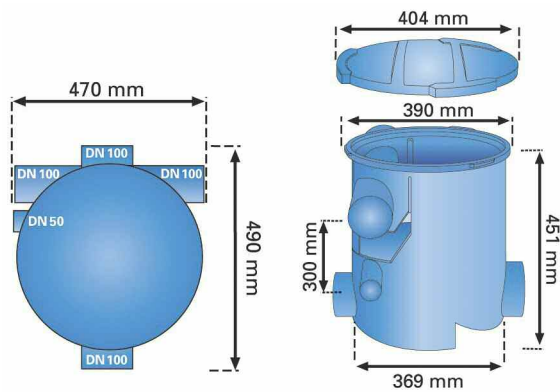
A Division of ENDURAMAXX

INSTALLING YOUR RAINWATER FILTER KIT CORRECTLY

Congratulations on your purchase of an Enduratank Rainwater Filter Kit.

If this product is correctly installed and regularly maintained, it should give you trouble free service for years to come.

CORRECT INSTALLATION IS THE SOLE RESPONSIBILITY OF THE PURCHASER.



CONTENTS OF KIT B

- VF1 Combi Filter with lid
- Overflow siphon tube
- Calmed inlet
- Enough pipe to go from the bottom of the filter to the bottom of the tank (calmed inlet)



If you have any questions regarding the operation or warranty of this product, please contact us direct:

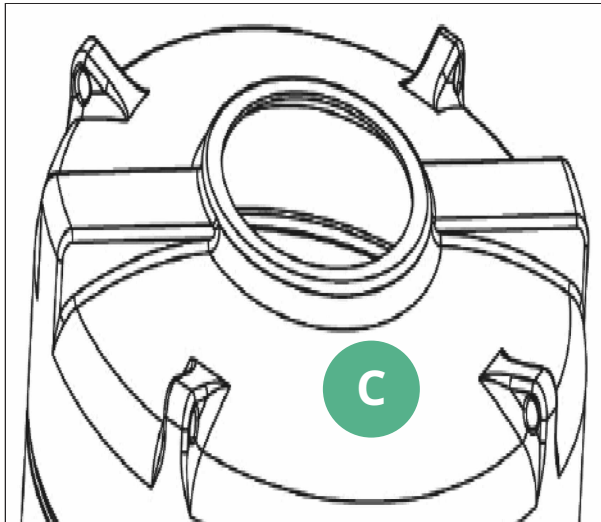
Telephone: **01778 562810** | Email: **enduratank@enduramaxx.co.uk** | **www.enduratank.co.uk**
Enduramaxx Limited | Outgang Road | The Fen | Baston | PE6 9PT

Enduratank is a Registered Trading Name of Enduramaxx Limited

Visit our website at www.enduratank.co.uk

Rainwater Filter Kit - Kit B Installation Steps

1. Locate the tank into position and identify where you would like the filter to sit in relation to current pipe work on the building.
2. Ensure the pipes entering the filter have a shallow incline in order to allow water to flow over the weir within the filter.
3. Decide whether you would like to use the hole from the screw lid on the water tank or whether you would be better to drill a purpose made hole to the side of the screw lid.
4. A typical point would be at the letter 'C' as illustrated below.



5. Drill a 4" round hole at your point 'C'.
6. Put the drainage pipe through the hole.
7. With the aid of the inspection screw lid put the calmed inlet on the end of the pipe.
8. Continue to lower the pipe until the calmed inlet is touching the base of the tank.
9. Insert the filter unit onto the top of the pipe.

You will have something like the illustration shown on the right...

9. The purpose of the siphon tube is to siphon away any floating algae from the top of the water. It should therefore be fitted as high as possible on the tank wall.
10. Drill a 4" hole, remove the plastic nut and insert the siphon tube through from the inside of the tank.
11. With the aid of the inspection screw lid put the calmed inlet on the end of the pipe.
12. With the nut – tighten up from outside the tank.
13. Silicone around where any pipe and fittings come out of the tank.

Further pipe and fittings may be required to finish connecting the unit to existing drainpipes and also drainage to a soakaway etc.

