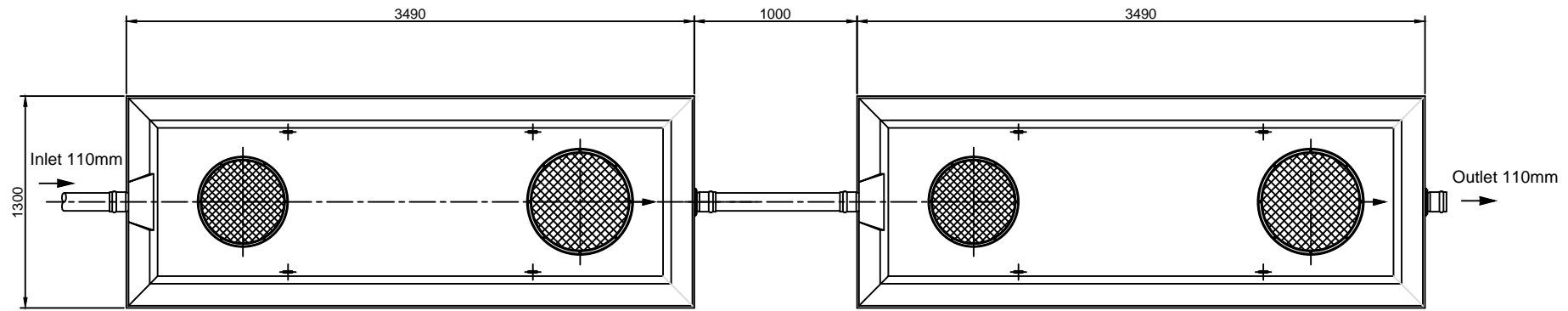
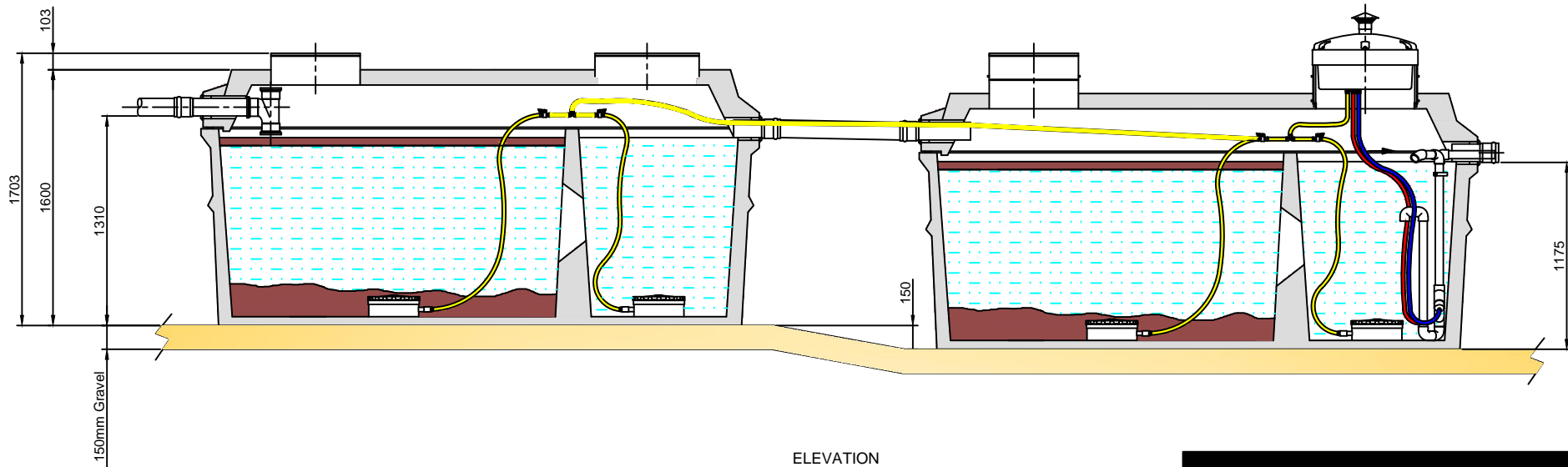


Tested to EN 12566-3 at PIA in Aachen, Germany



PLAN

Optional risers  
are available  
as required  
upto 900mm



ELEVATION

16 PE Waste Water Treatment Plant

Note: Observe all safety regulations in regard to excavation and lifting requirements.

Never leave openings uncovered or unattended at any time.

Note: All civil works by customer.

Tank must be placed on a perfectly level and firm suitable base

