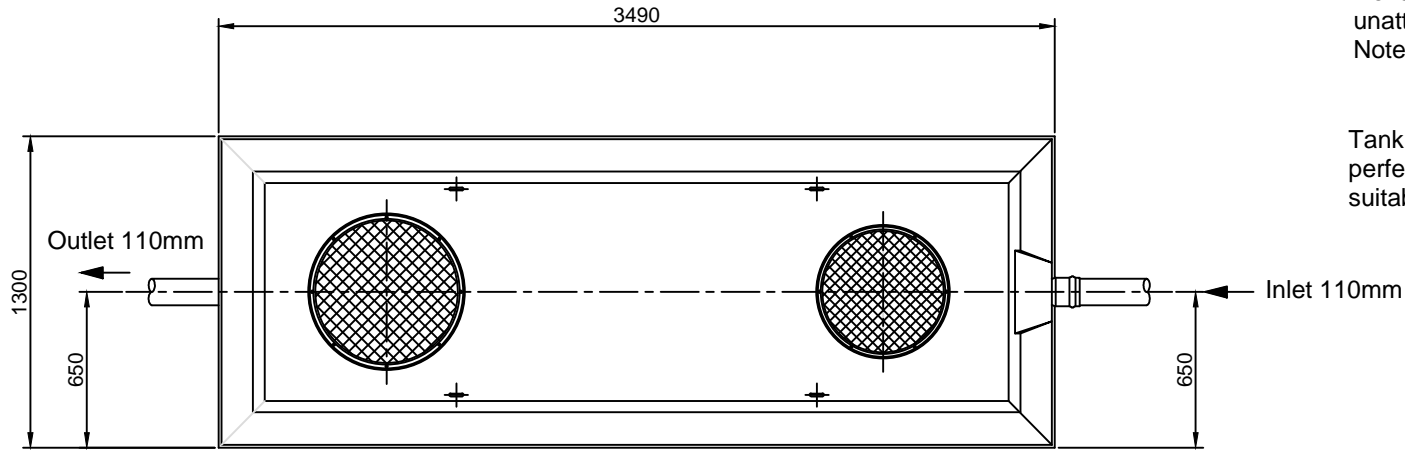


Septic Tank (3,400 litres)
Tested to EN 12566-3 at PIA in Aachen, Germany



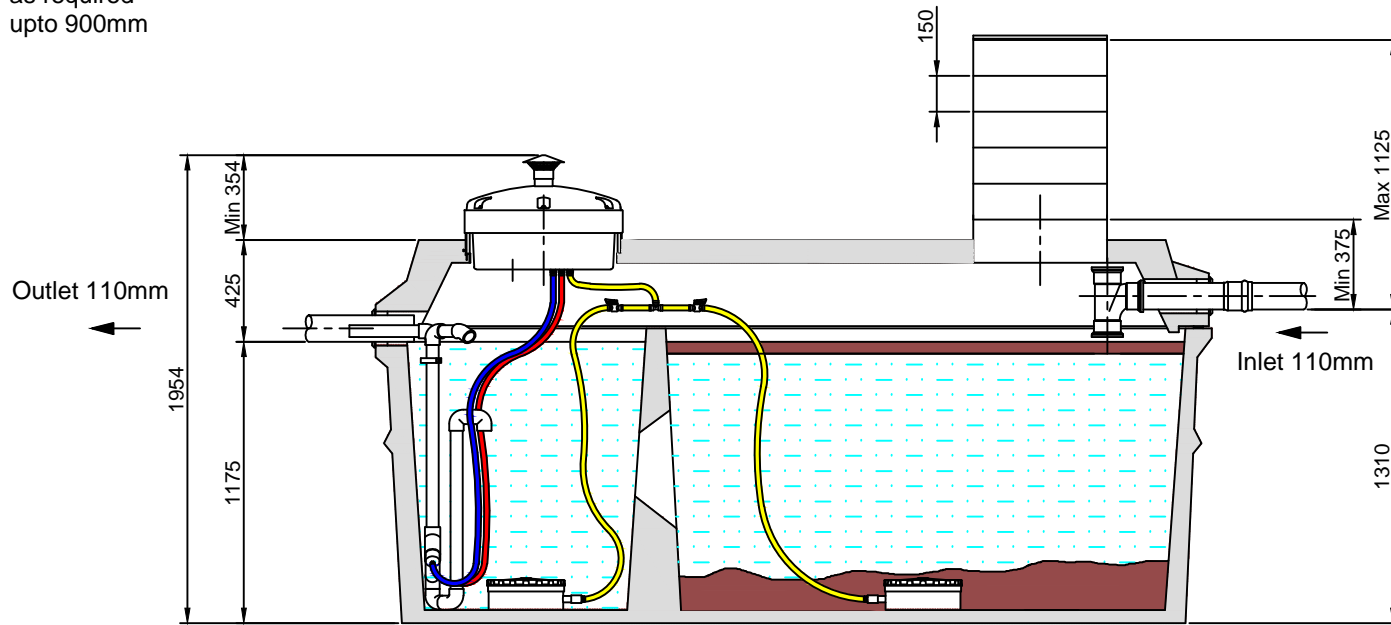
Note: Observe all safety regulations in regard to excavation and lifting requirements.

Never leave openings uncovered or unattended at any time.

Note: All civil works by customer.

Tank must be placed on a perfectly level and firm suitable base

Optional risers are available as required upto 900mm



Accidental damage caused by incorrect lifting is the responsibility of the client.

Lifting limitations:

Top of tank



✓



✗

