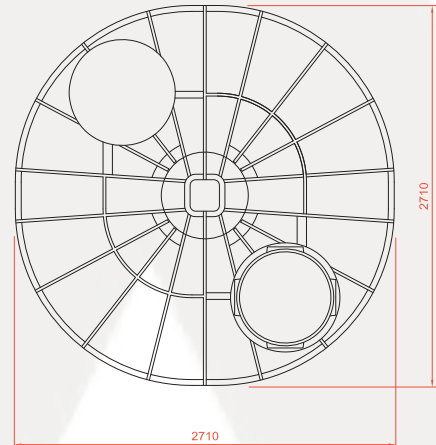


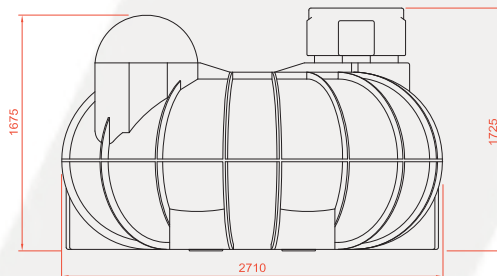
# WAB.5200



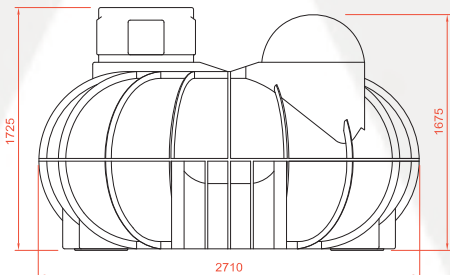
## 5200 LITRE BULK WATER STORAGE TANK



PLAN



SIDE ELEVATION



END ELEVATION

### TANK:

Suitable for storage of both potable and non-potable water. Made in the UK out of high strength polyethylene, their shallow dig depth makes them easy to install and maintain, as well as being ideal for areas with a high-water table.

### SPECIFICATIONS:

- Capacity, 5,200 litres (1145 gallons)
- Telescopic neck (optional extra)
- Drainage pack (optional extra)
- Pedestrian lid (optional extra)
- Vehicle lid (optional extra)

### DIMENSIONS:

Length: 2700mm  
Width: 2700mm  
Height: 1725mm  
Weight: 240kg

### TANK OPTIONS:

WAB.5200 (Non-potable)  
WAB.5200P (Potable)

**TANK ACCESSORIES:** See page 19



# Accessories:



WAB.NECK.EXT  
450mm - 750mm  
Telescopic  
Neck & Seal



WAB.LID.PED  
770mm  
Pedestrian Lid  
Cover



WAB.LID.VEH  
770mm  
Vehicle Lid Cover



WAB.LID.NECK.ASS  
500mm - 800mm  
Telescopic  
Neck & Pedestrian  
Lid Assembly



WAB.NON.RET  
Backflow  
Non-Return Valve

