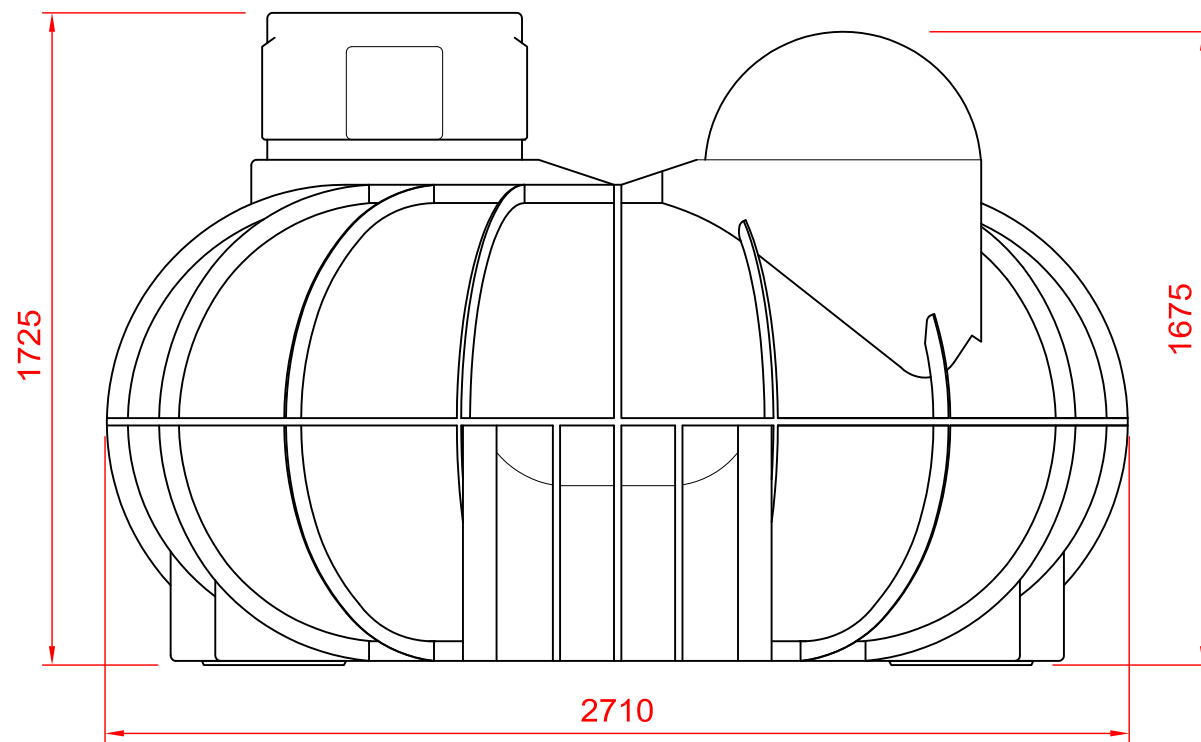
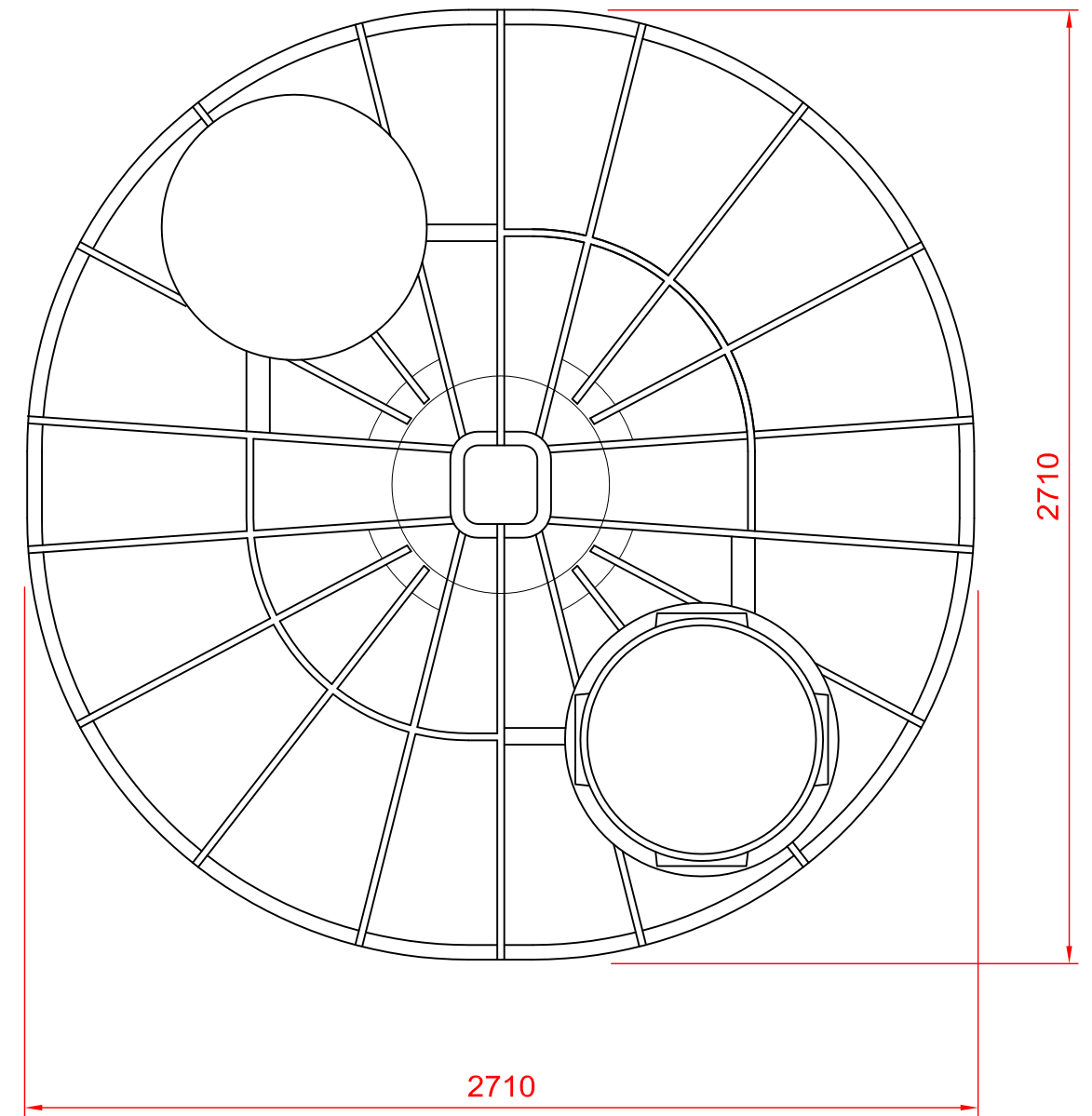


SIDE ELEVATION



END ELEVATION



PLAN

© Atlantis Tanks Group Ltd. 2020



Title  
**5200 Litre Puratank  
 Plans and Elevations**

Scale  
**1:20**

---

Drawing No.  
**PUR-5200-01**

Revisions  
 -