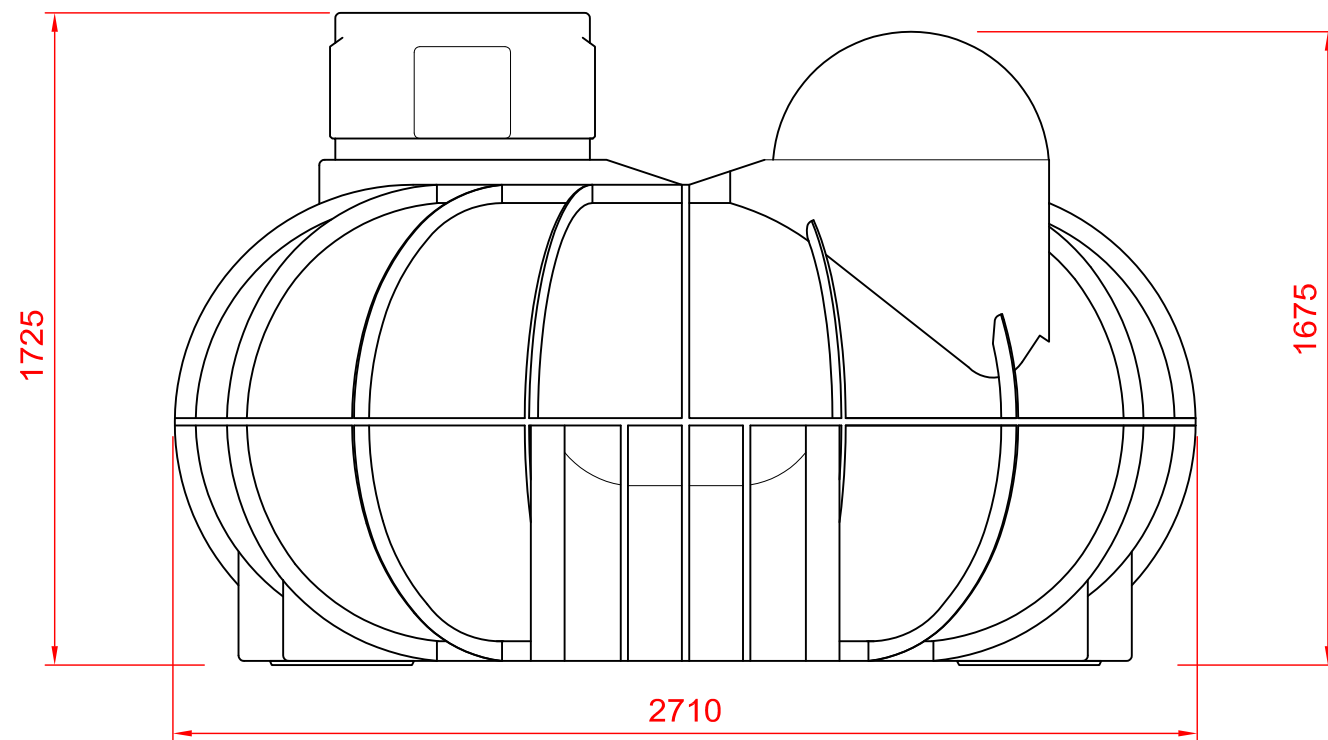
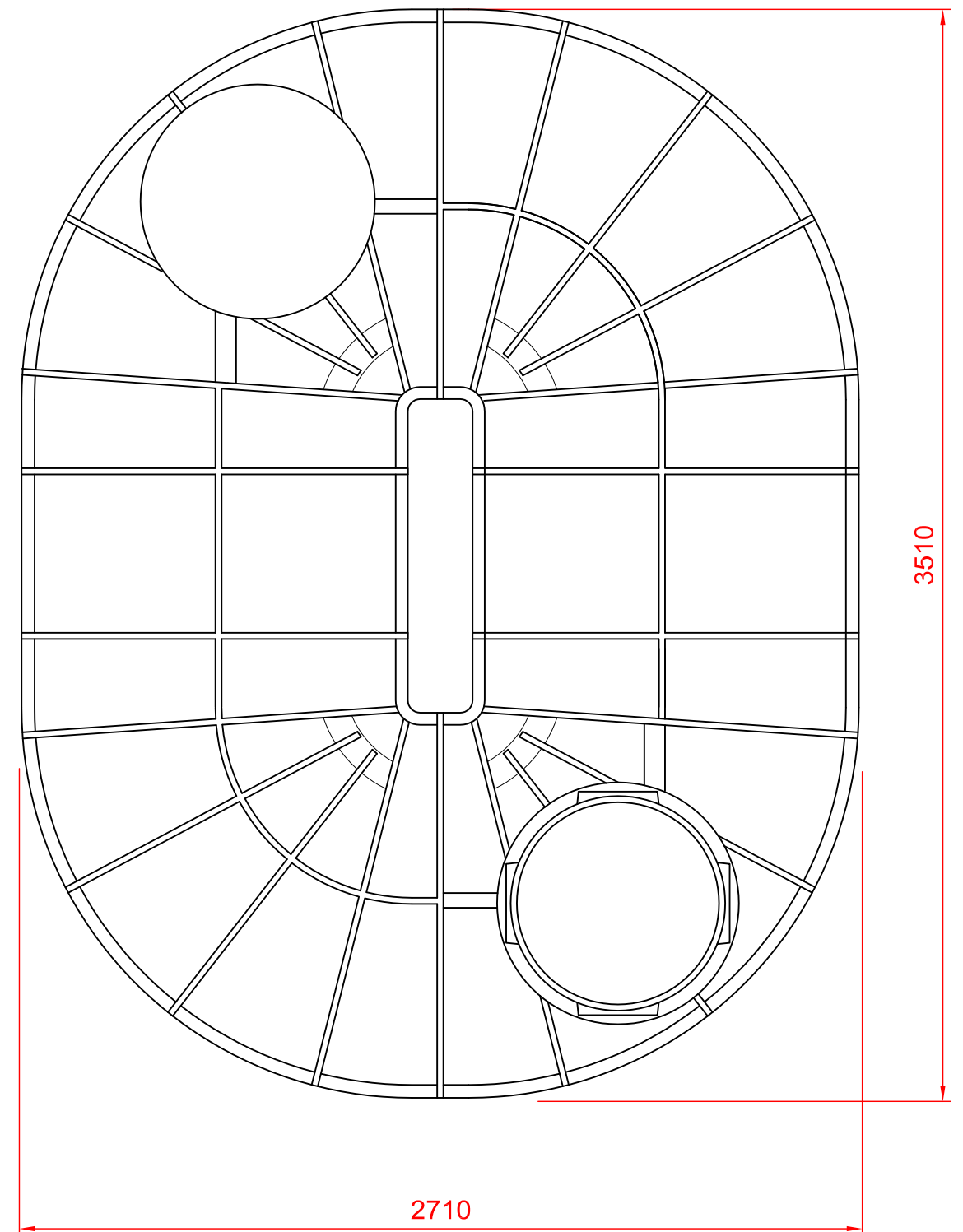


SIDE ELEVATION



END ELEVATION



PLAN

© Atlantis Tanks Group Ltd. 2020



Title
**6800 Litre Puratank
 Plans and Elevations**

Scale
1:20

Drawing No.
PUR-6800-01

Revisions
 -