

Product information presented here reflects conditions at time of publication. Consult factory regarding discrepancies or inconsistencies.

## PUMP COMPANY

*Zoeller Family of Water Solutions™*

MAIL TO: P.O. BOX 16347 • Louisville, KY 40256-0347 USA  
SHIP TO: 3649 Cane Run Road • Louisville, KY 40211-1961 USA  
TEL +1(502) 778-2731 • FAX +1(502) 774-3624

**50Hz**

**60Hz**

[www.zoeller.com](http://www.zoeller.com)

### COMPARE THESE FEATURES

- Thermal overload protected motor and rugged cast iron motor housing for long life.
- Highly efficient, oil filled motor for enhanced heat dissipation.
- Engineered thermoplastic and stainless steel components provide improved corrosion resistance.
- Vent hole prevents air lock.
- Non clogging vortex impeller passes up to 2”(50mm) spherical solids.
- Carrying handle for convenient pump placement.
- 9’(2.7m) cord. 32.8’(10m), 20’(6.1m) cord available upon request.
- Temperature rating 104°F (40°C).
- 100% tested before shipment for reliable operation.
- One-year limited warranty.

### APPLICATION

- Waste water from septic tank in residential household removal.
- Factory wastewater removal.
- Waste water from livestock industry removal.
- Waste water contain objects removal.
- Other purpose wastewater removal.

### 50Hz SPECIFICATIONS

SERIES	VOLT	PH Ø	AMPS	POWER		DISCHARGE		SHUT-OFF HEAD		SOLID SIZE		DIMENSION				MINIMUM PIT DIAMETER			
				HP	KW	Inch	mm	ft.	m	Inch	mm	Max Width		Max Height		Vertical		Tethered	
												Inch	mm	Inch	mm	Inch	mm	Inch	mm
<b>222</b>	220	1	3.0	1/2	0.64	2	50	19	5.8	2	50	9-7/8	250	14-9/16	370	10	254	18	457

### 60Hz SPECIFICATIONS

SERIES	VOLT	PH Ø	AMPS	POWER		DISCHARGE		SHUT-OFF HEAD		SOLID SIZE		DIMENSION				MINIMUM PIT DIAMETER			
				HP	KW	Inch	mm	ft.	m	Inch	mm	Max Width		Max Height		Vertical		Tethered	
												Inch	mm	Inch	mm	Inch	mm	Inch	mm
<b>222</b>	115	1	9.5	1/2	0.98	2	50	25	7.6	2	50	9-7/8	250	14-9/16	370	10	254	18	457
	230		4.0																

# SEWAGE EJECTOR PUMP

NON CLOGGING  
VORTEX  
IMPELLER

Certified to CSA  
Standard C22.2 No.108

222 SERIES

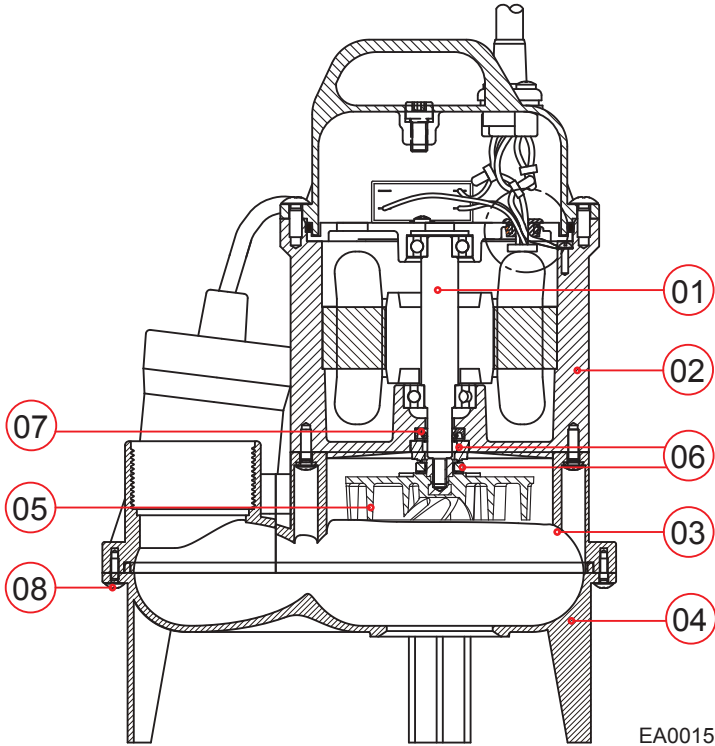
Consult factory for certification availability.

### CONSULT FACTORY FOR OPTIONS

(50Hz)

(60Hz)

## CONSTRUCTION



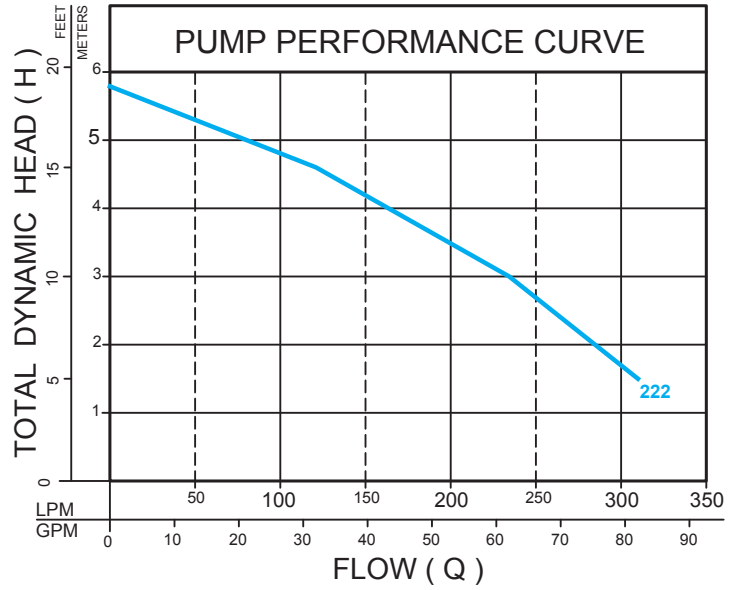
EA0015

NO.	COMPONENT	MATERIAL
01	Shaft	CARBON STEEL
02	Motor Housing	FC150
03	Pump Housing	ABS
04	Base	ABS
05	Impeller	PA66+30%G.F.
06	Mechanical Seal	CARBON/CERAMIC
07	Seal and Gasket	NBR
08	Hardware	SUS 304

## ELECTRICAL & CONTROL OPTIONS

CONTROL SWITCH	NON-AUTO		AUTOMATIC					
			TETHERED		VERTICAL		PIGGYBACK	
	50	60	50	60	50	60	50	60
222	✓	✓	✓	✓	✓	✓	✓	✓

## 50Hz PERFORMANCE

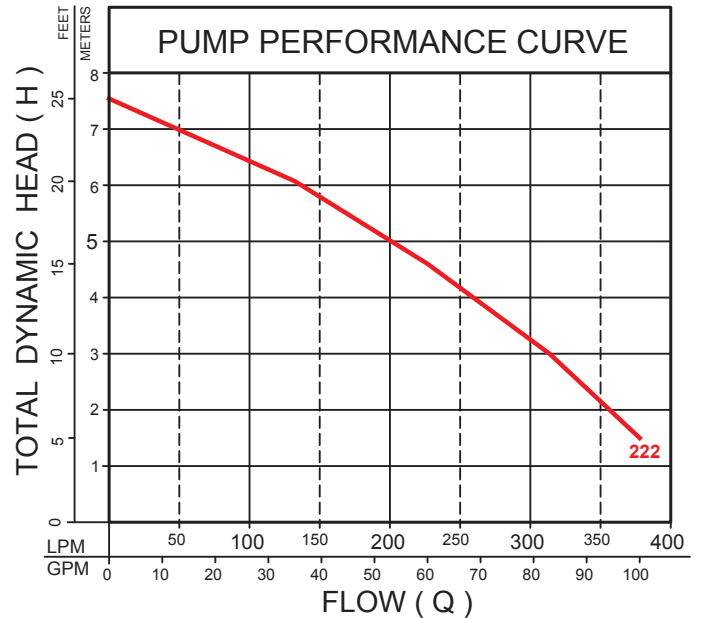


### TOTAL DYNAMIC HEAD/FLOW PER MINUTE

SERIES		222	
Feet	Meters	Gal.	Liters
5	1.5	82	310
10	3.0	62	235
15	4.6	32	121

081151

## 60Hz PERFORMANCE



### TOTAL DYNAMIC HEAD/FLOW PER MINUTE

SERIES		222	
Feet	Meters	Gal.	Liters
5	1.5	100	378
10	3.0	83	314
15	4.6	60	227
20	6.0	35	132

081154