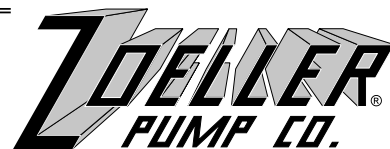


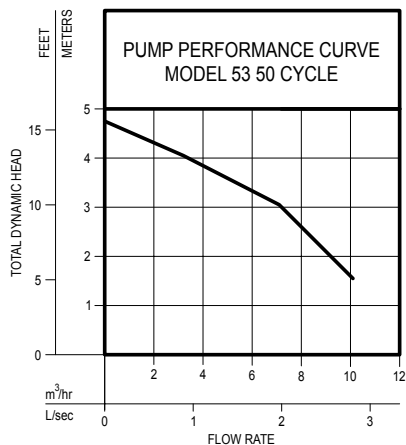
DRAIN PUMP SERIES 105-0011 AND 135-0006 with UK PLUG



Removes water from areas where gravity flow is not available.

Applications include, laundry tray pump, wet bar sink, lavatory, air conditioning condensate or dehumidifier water removal. It can also be used in conjunction with dishwashers and garbage disposal applications.

NO INLET FILTERS OR SCREENS TO CLEAN



NEW!
CAN BE
INSTALLED WITH
INTERNAL
TRAP

NEW!
OPTIONAL INLET
TOP / SIDE



Product may not be exactly as pictured.

TOTAL DYNAMIC HEAD/FLOW
EFFLUENT AND DEWATERING

MODEL		53	
Meters	Feet	m³/hr	L/sec
1.5	5.0	10.1	2.8
2.0	6.6	9.1	2.5
3.0	9.8	7.1	2.0
4.0	13.1	3.2	0.9
Shut-off Head:		4.7m (15.5ft)	

009942

TOTAL DYNAMIC HEAD/FLOW
EFFLUENT AND DEWATERING

MODEL		152	
Meters	Feet	m³/hr	L/sec
1.5	5.0	12.8	3.6
2.0	6.6	12.1	3.4
4.0	13.1	9.4	2.6
6.0	19.7	5.7	1.6
Shut-off Head:		8.0 m (26.4 ft)	

019323

DRAIN PUMP SERIES INCLUDES:

- Automatic pumps with tank cord seals and all hardware for easy assembly.
- Polypropylene basin and lid.
- Internal discharge pipe to lid. (Trap supplied by others.)**

DRAIN PUMP SERIES

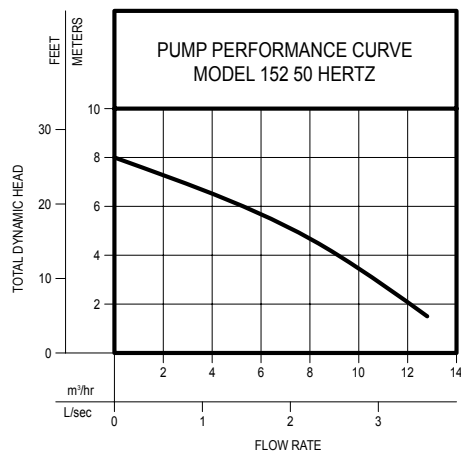
105-0011*
135-0006

MODEL PUMP WITH BASIN

U53
U152

SHIPPING WT.

30 lbs.
48 lbs.

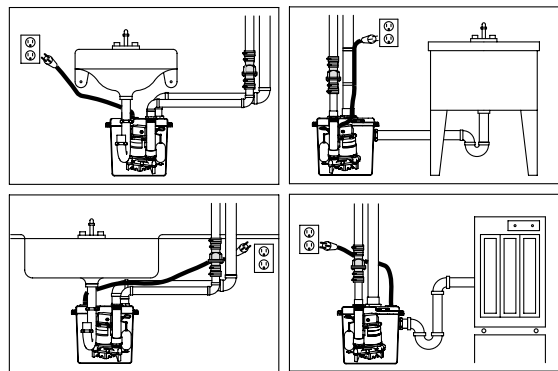


019323

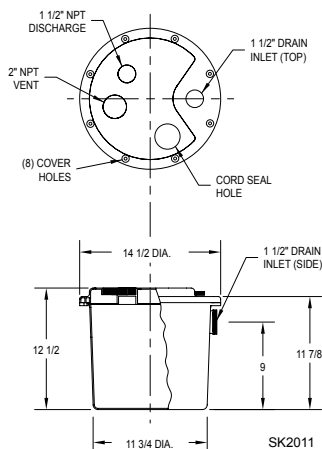
EASY INSTALLATION - NO NEED TO DIG A SUMP.



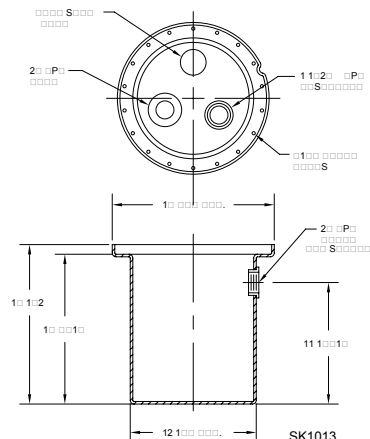
WARNING TO REDUCE THE RISK OF ELECTRICAL SHOCK A PROPERLY GROUNDED RECEPTACLE OF GROUNDING TYPE SHALL BE INSTALLED AND PROTECTED BY A GROUND FAULT CIRCUIT INTERRUPTER (GFCI) IN ACCORDANCE WITH NATIONAL AND LOCAL CODES. DO NOT REMOVE GROUND PIN FROM PLUG.



SK2011



SK2011



SK1013