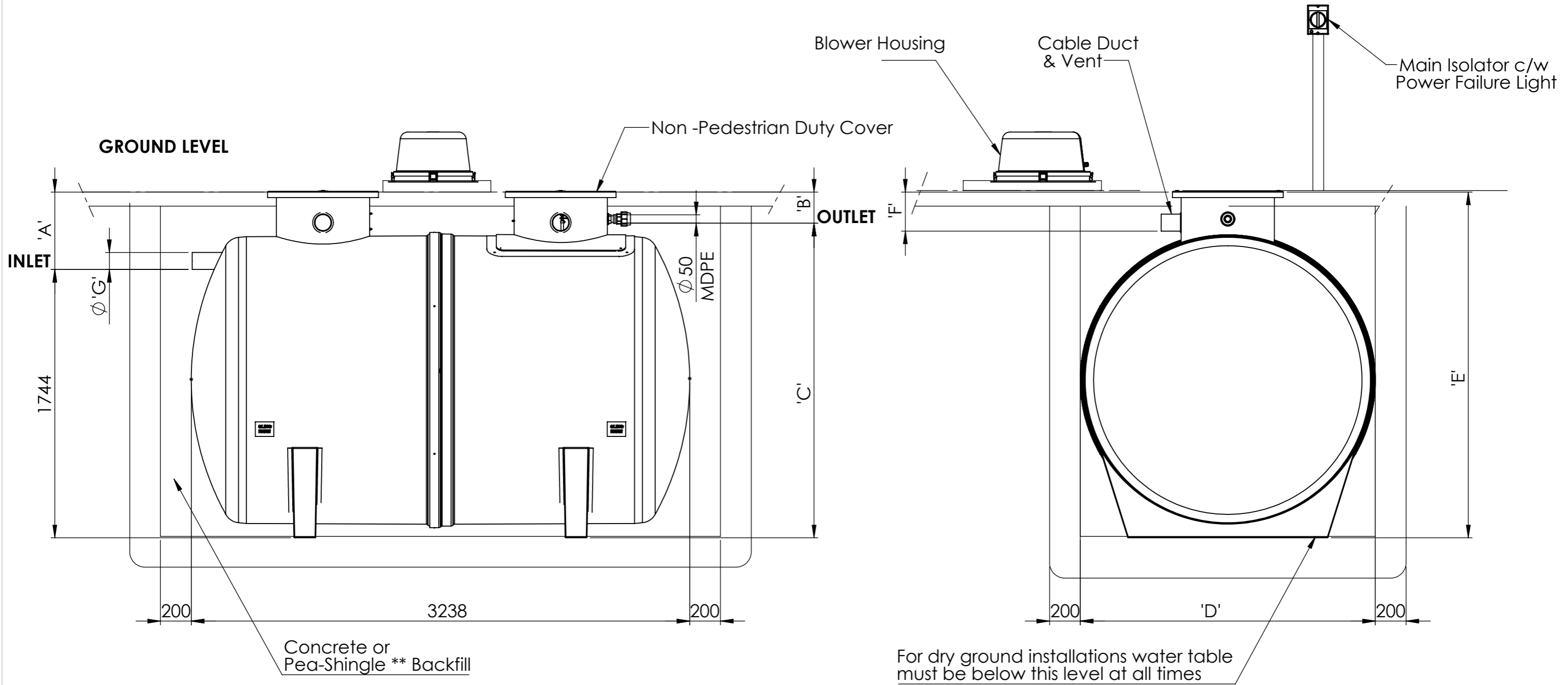


Notes:

1. This drawing is for 'Dimensional information Only', it is essential that this drawing is read in conjunction with the 'Installation Guidelines' supplied with the unit. (Copies available from our Sales Department)
2. Inlet pipe is Ø110mm PVCu and Outlet is 50mm MDPE compression fitting
3. Extension neck kit is available for deep inverts up to a maximum invert of 2000mm. See extension neck drawing for assembly details.
4. Blower located inside external housing. Alarm beacon to be fitted to outside of blower housing (if applicable).
5. Vent pipe connection is supplied but vent runs and stacks are supplied by others.
6. Air hose for tank internals is supplied with blower housing and is run through the vent.
7. **Pea -shingle backfill is reliant on use of correct strapping and anchoring.

Unit Ref	A' (mm)	B' (mm)	C' (mm)	D' (mm)	E' (mm)	F' (mm)	G' (mm)	Unit Weight (Kgs)
BIA 4	500	200	2045	1920	2245	250	110	375
	1000	200	2545	1920	2745	250	110	385
	1500	200	3045	1920	3245	250	110	415
	2000	200	3545	1920	3745	250	110	425



Please check with Kingspan Water & Energy for the latest Issue of the drawing				
Issue	Date	Drawn By	Approved By	Description
01	19/01/2024	JMcM	JMcM	Initial Issue

LN Number :	Tolerance : +/- 5 mm
Finish : n/a	Thickness : n/a
Weight : See Table Kgs	Surface Area : n/a
Modelled By :	Material : Various

Drawing : DS1447B	Page 1 of 1
BioAir 4 (12PE) IPS Sales Drawing	

All dimensions in mm	Scale: Not to scale
----------------------	---------------------

Clearwater reserve the right to alter the details of this drawing without prior notice. This drawing is copyright and may not be reproduced or used without the written permission of Clearwater.

