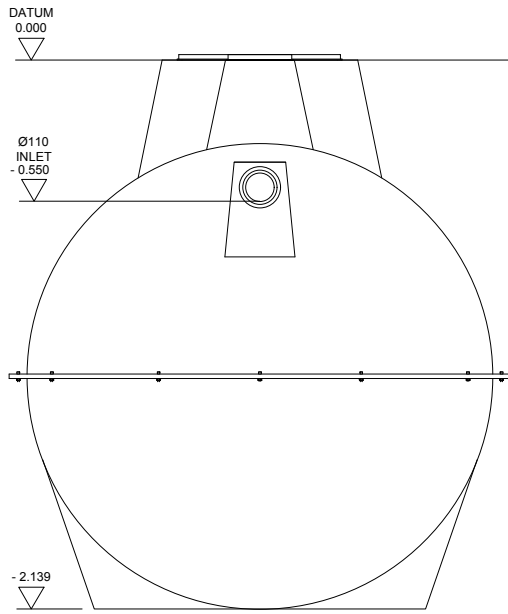
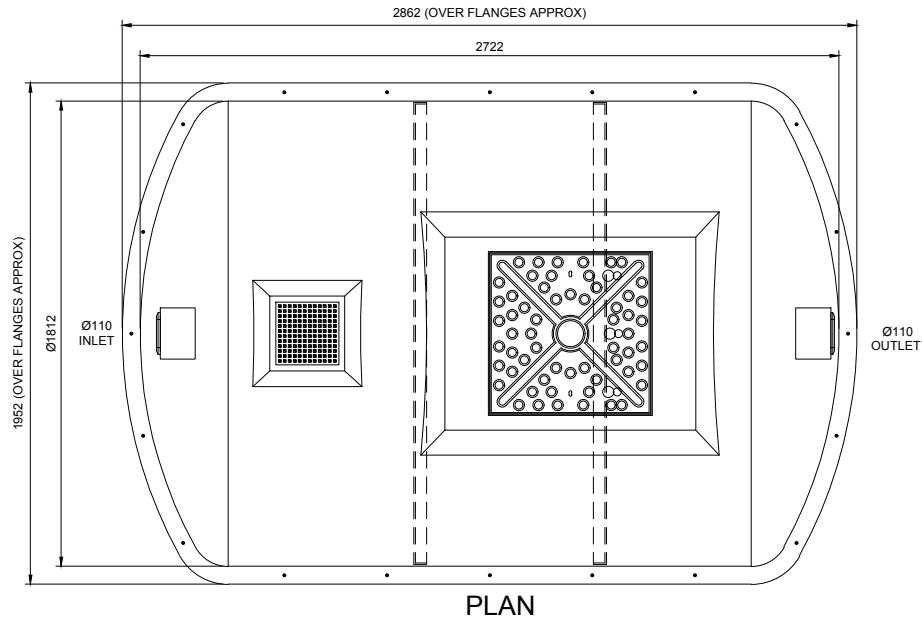
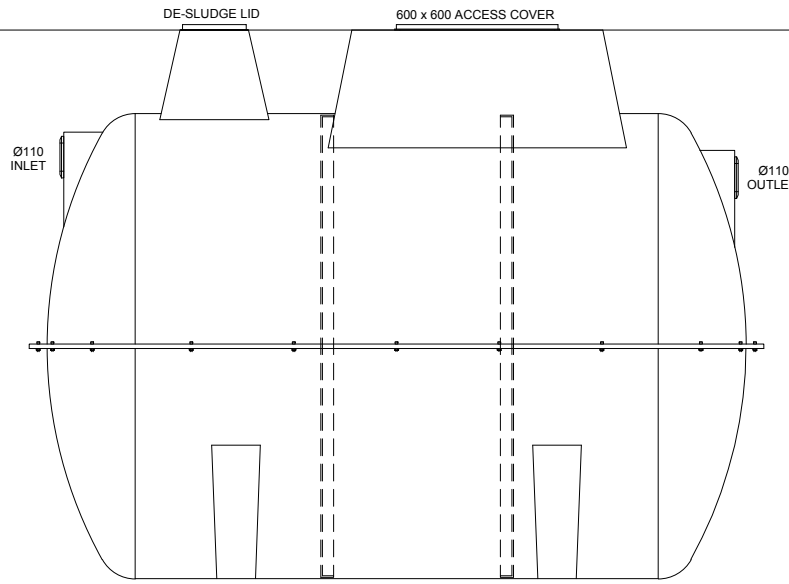


GENERAL NOTE:

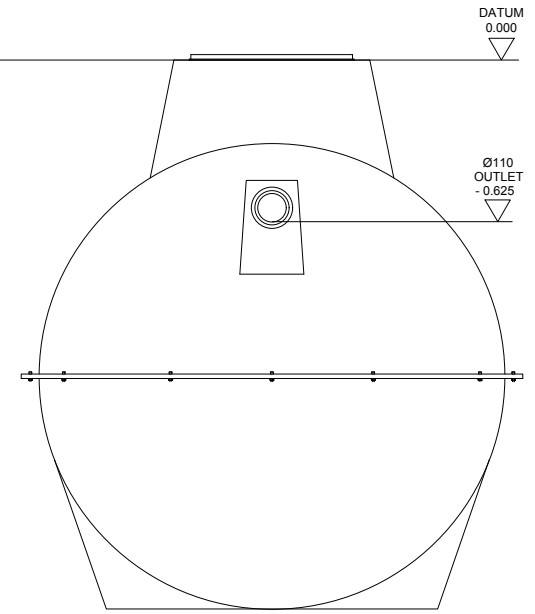
All tanks are subject to a 2.5% tolerance on all dimensions. Any internals (if shown) are for guidance only, and may vary due to individual specifications.



VIEW ON INLET



SIDE ELEVATION



VIEW ON OUTLET

REV	DESCRIPTION	DATE	SIG	REV	DESCRIPTION	DATE	SIG
A	For Approval	01.07.14	P.L.				

THIS DRAWING IS THE PROPERTY OF MARSH INDUSTRIES LTD. AND MUST NOT BE REPRODUCED OR CIRCULATED FOR ANY PURPOSE WHATSOEVER WITHOUT FIRST OBTAINING WRITTEN CONSENT FROM THE MARSH INDUSTRIES LTD.		
DRG.	CHKD	APPD
SCALE	DATE	
N.T.S.	01.07.2014	
3 RD ANGLE PROJECTION	DO NOT SCALE IF IN DOUBT ASK	

CLIENT	TITLE
	MARSH ENSIGN 12 PE (TWELVE PERSONS) GRAVITY OUTLET. EN12566-3:2011

DRG.	REV
EN 12 PE STD	A

MARSH
INDUSTRIES LTD.

UNITS 9-13 ADDINGTON PARK IND. EST.,
LITTLE ADDINGTON, KETTERING,
NORTHAMPTONSHIRE, NN14 4AS.