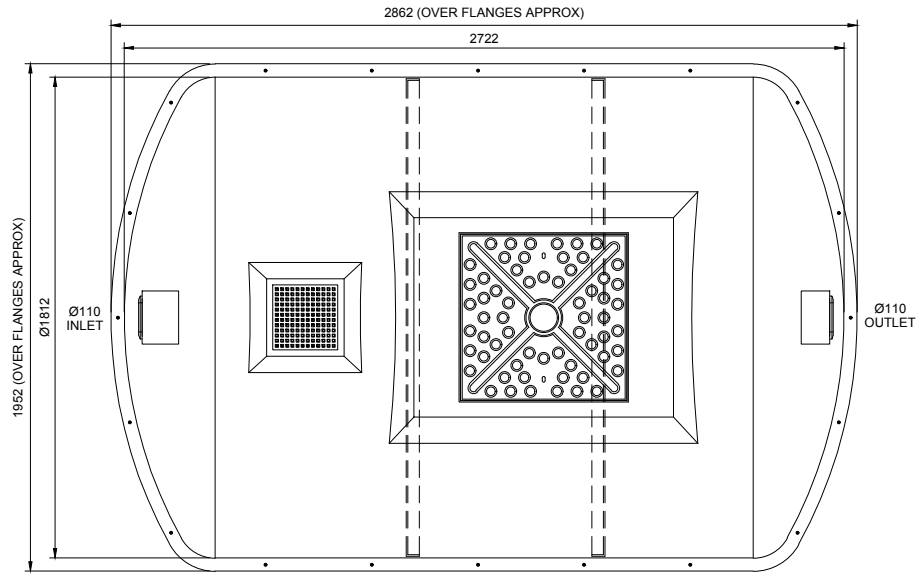
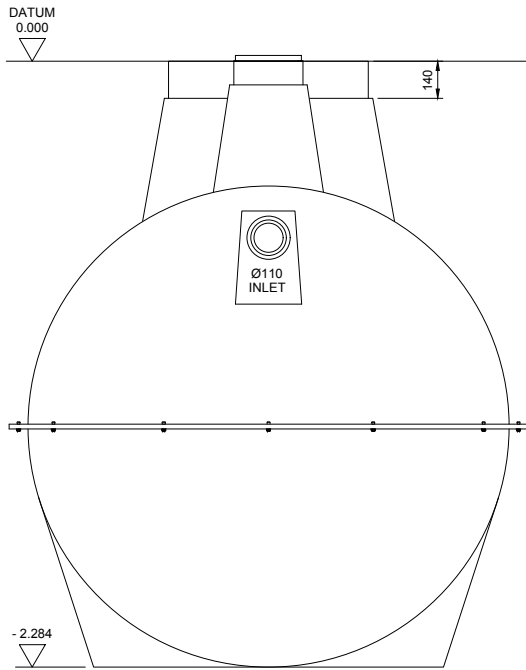


GENERAL NOTE:

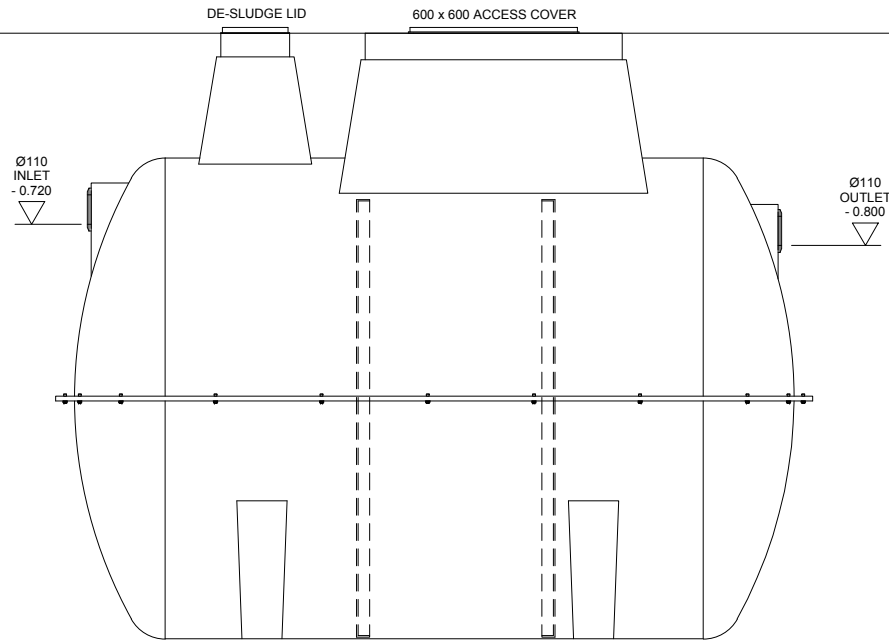
All tanks are subject to a 2.5% tolerance on all dimensions.
Any internals (if shown) are for guidance only, and may vary due to individual specifications.



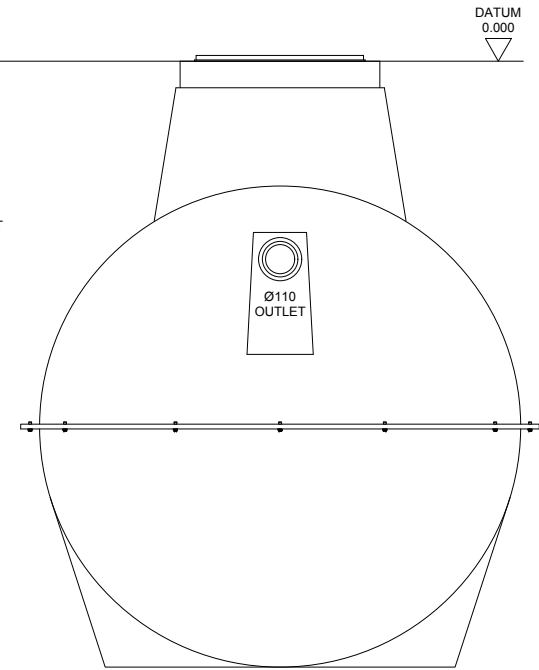
PLAN



VIEW ON INLET



SIDE ELEVATION



VIEW ON OUTLET

REV	DESCRIPTION	DATE	SIG	REV	DESCRIPTION	DATE	SIG
A	For Approval	01.07.14	P.L.				

THIS DRAWING IS THE PROPERTY OF MARSH INDUSTRIES LTD. AND MUST NOT BE REPRODUCED OR CIRCULATED FOR ANY PURPOSE WHATSOEVER WITHOUT FIRST OBTAINING WRITTEN CONSENT FROM THE MARSH INDUSTRIES LTD.		
DRG.	CHKD	APPD
SCALE	DATE	
N.T.S.	01.07.2014	
3 RD ANGLE PROJECTION		
DO NOT SCALE IF IN DOUBT ASK		

CLIENT	TITLE
	MARSH ENSIGN 16 PE (SIXTEEN PERSONS) GRAVITY OUTLET EN12566-3:2011

MARSH INDUSTRIES LTD.
UNITS 9-13 ADDINGTON PARK IND. EST.,
LITTLE ADDINGTON, KETTERING,
NORTHAMPTONSHIRE, NN14 4AS.



MARSH
INDUSTRIES LTD.
EN 16 PE STD

REV	A
-----	---