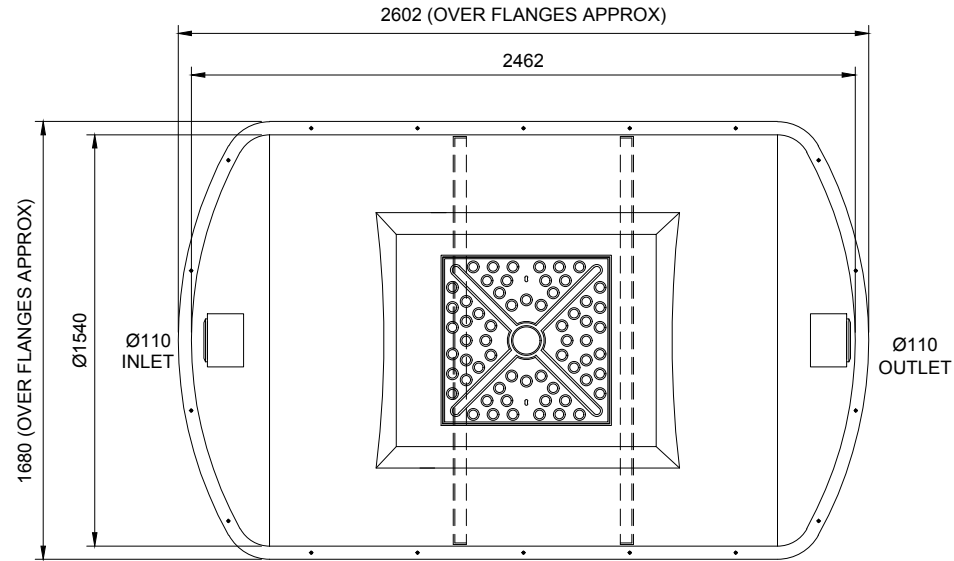
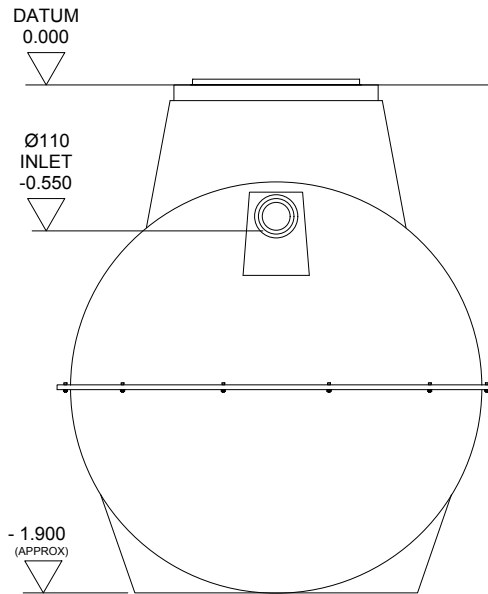


**GENERAL NOTE:**

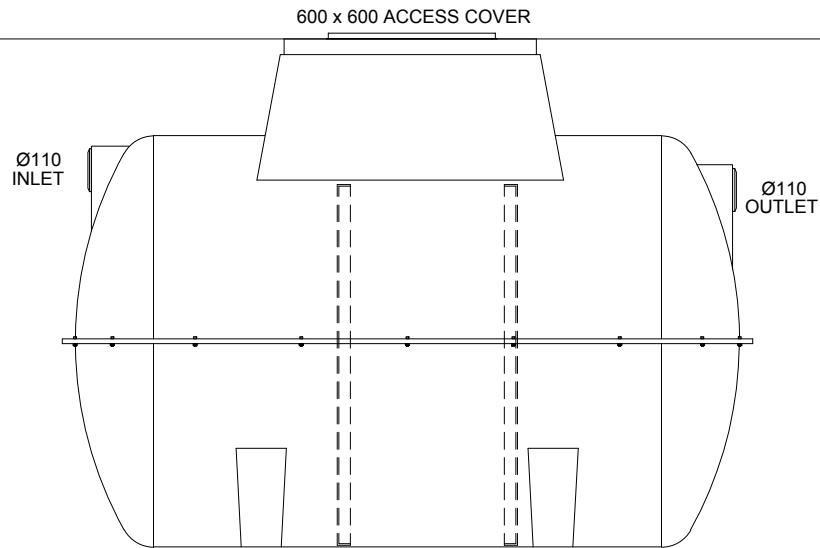
All tanks are subject to a 2.5% tolerance on all dimensions. Any internals (if shown) are for guidance only, and may vary due to individual specifications.



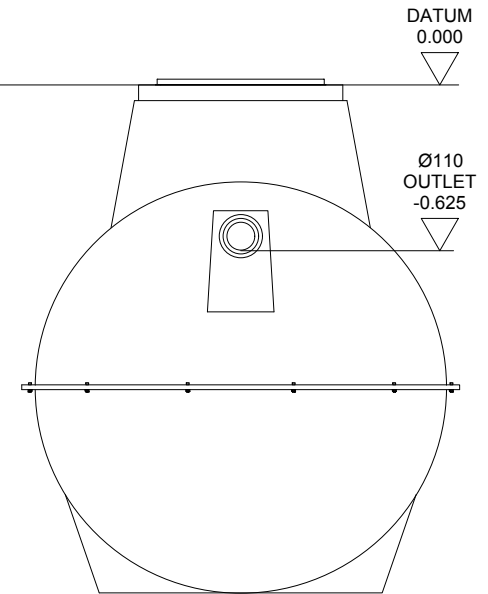
**PLAN**



**VIEW ON INLET**



**SIDE ELEVATION**



**VIEW ON OUTLET**

REV	DESCRIPTION	DATE	SIG	REV	DESCRIPTION	DATE	SIG	REV	DESCRIPTION	DATE	SIG	CLIENT	TITLE	DRG.	REV
A	For Approval	01.07.14	P.L.										MARSH ENSIGN 8 PE (EIGHT PERSONS) GRAVITY OUTLET EN12566-3:2011	MARSH INDUSTRIES LTD.	A

THIS DRAWING IS THE PROPERTY OF MARSH INDUSTRIES LTD. AND MUST NOT BE REPRODUCED OR CIRCULATED FOR ANY PURPOSE WHATSOEVER WITHOUT FIRST OBTAINING WRITTEN CONSENT FROM THE MARSH INDUSTRIES LTD.

DRG.	CHKD.	APPD.
SCALE	DATE	
N.T.S.	01.07.2014	
3 RD ANGLE PROJECTION	DO NOT SCALE IF IN DOUBT ASK	

**MARSH**

**MARSH INDUSTRIES LTD.**

UNITS 8-13 ADDINGTON PARK IND. EST., LITTLE ADDINGTON, KETTERING, NORTHAMPTONSHIRE, NN14 4AS.

EN 8 PE STD