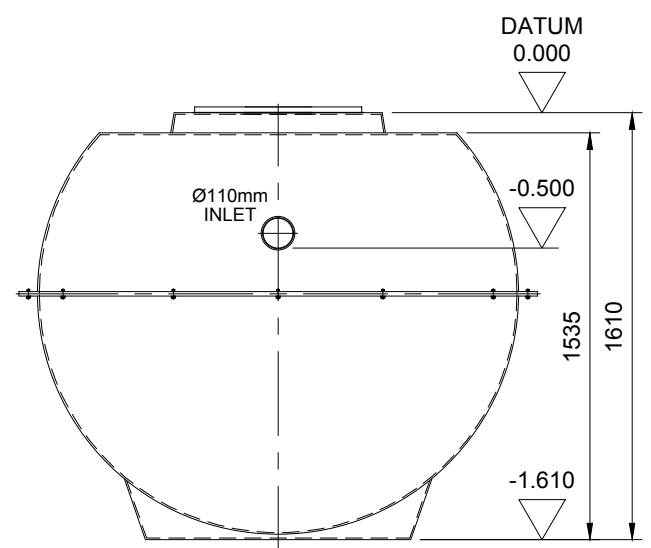
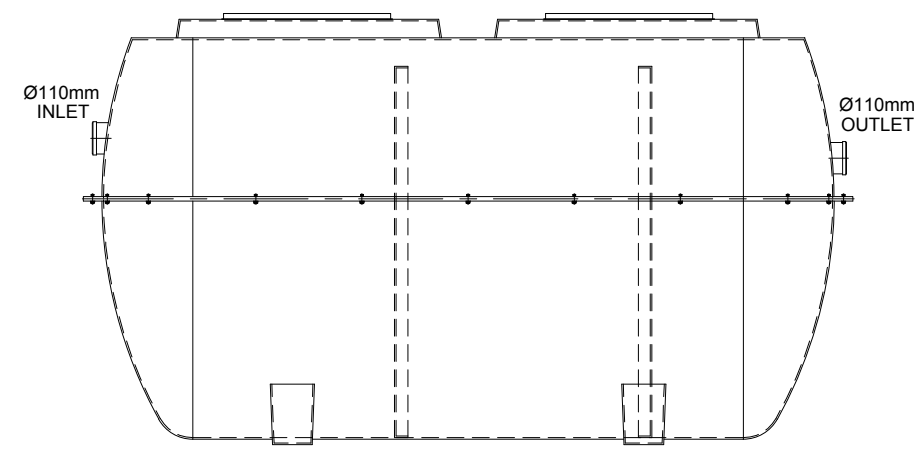


PLAN

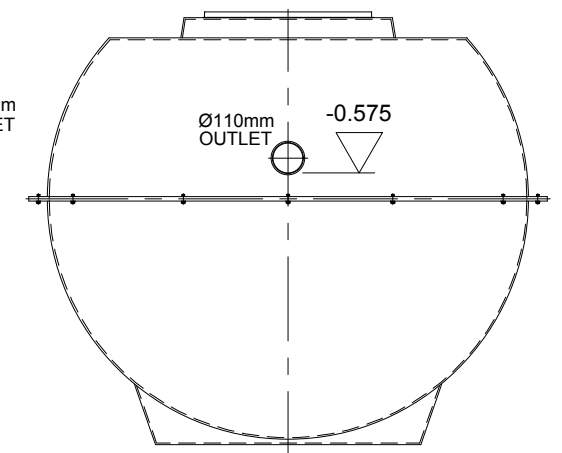
NOTE:
All tanks are subject to a 2.5% tolerance on all dimensions.



VIEW ON INLET




SIDE ELEVATION



VIEW ON OUTLET

REV	DESCRIPTION	DATE	SIG	REV	DESCRIPTION	DATE	SIG
A	For Approval	20.07.14	P.L.				

THIS DRAWING IS THE PROPERTY OF MARSH INDUSTRIES LTD. AND MUST NOT BE REPRODUCED OR CIRCULATED FOR ANY PURPOSE WHATSOEVER WITHOUT FIRST OBTAINING WRITTEN CONSENT FROM THE MARSH INDUSTRIES LTD.				CLIENT
ORIG.	CHKD	APPD		
SCALE	N.T.S.	DATE	20.07.14	
3 RD ANGLE PROJECTION		DO NOT SCALE IF IN DOUBT ASK		

TITLE	UNI:ENSIGN SHALLOW TANK RANGE 12 (TWELVE PERSONS) EN12566-3:2005+A1:2009	 MARSH INDUSTRIES LTD. <small>UNITS 9-13 ADDINGTON PARK IND. EST., LITTLE ADDINGTON, KETTERING, NORTHAMPTONSHIRE, NN14 4AS.</small>	DRG: ES 12 REV: A
-------	---	--	----------------------