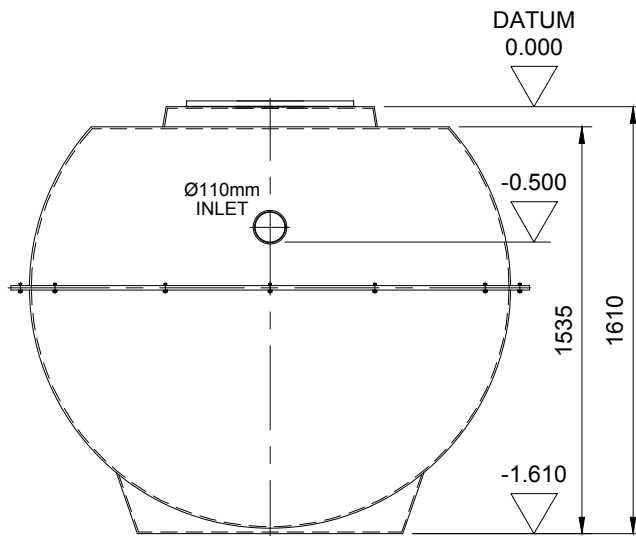
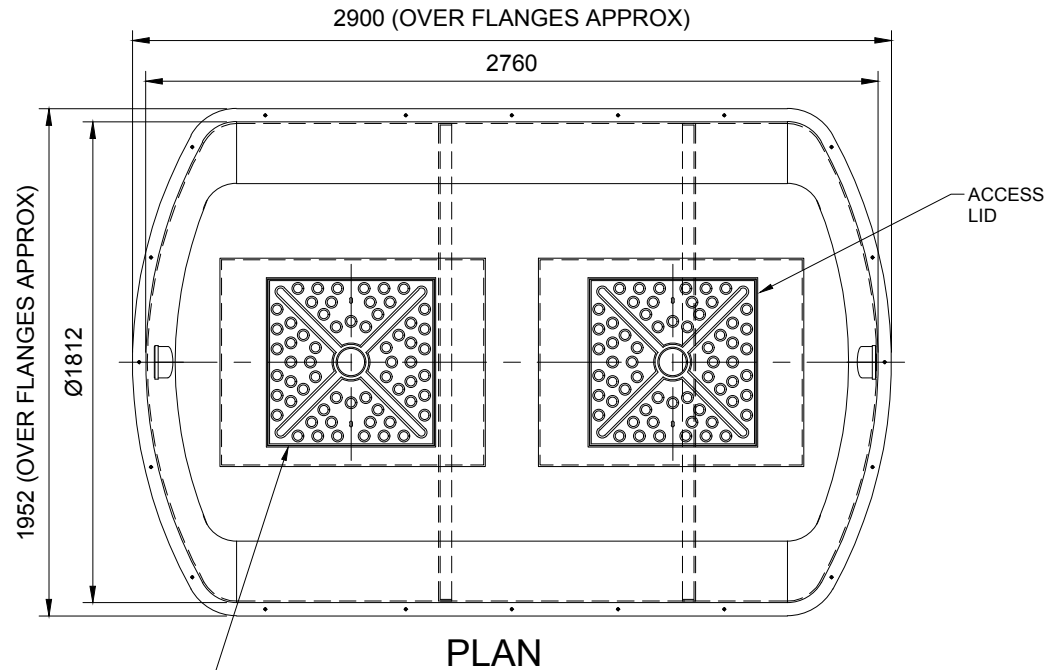
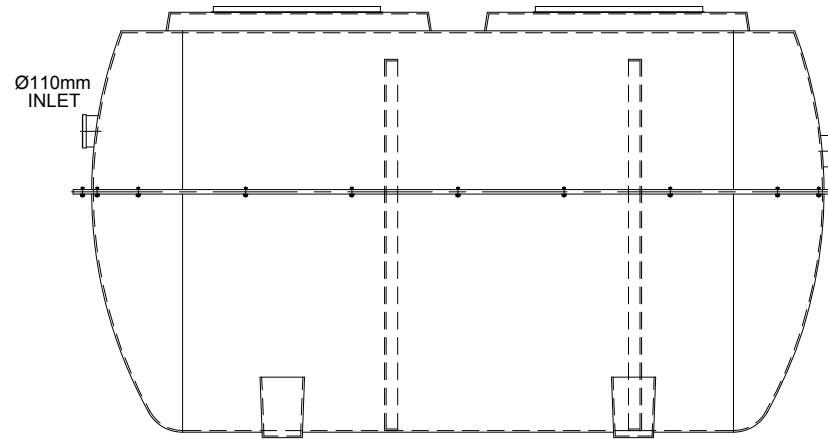


GENERAL NOTE:

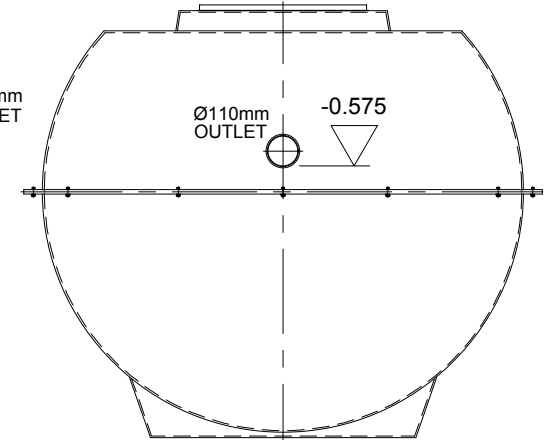
All tanks are subject to a 2.5% tolerance on all dimensions.
Any internals (if shown) are for guidance only, and may vary due to individual specifications.



VIEW ON INLET




SIDE ELEVATION



VIEW ON OUTLET

REV	DESCRIPTION	DATE	SIG	REV	DESCRIPTION	DATE	SIG
A	For Approval	20.07.14	P.L.				

THIS DRAWING IS THE PROPERTY OF MARSH INDUSTRIES LTD. AND MUST NOT BE REPRODUCED OR CIRCULATED FOR ANY PURPOSE WHATSOEVER WITHOUT FIRST OBTAINING WRITTEN CONSENT FROM THE MARSH INDUSTRIES LTD.				CLIENT
ORIG.	CHKD	APPD		
SCALE	DATE			
N.T.S.	20.07.14			
3 RD ANGLE PROJECTION	DO NOT SCALE IF IN DOUBT ASK			

TITLE	UN:ENSIGN SHALLOW TANK RANGE 6 (SIX PERSONS) EN12566-3:2005+A1:2009	 MARSH INDUSTRIES LTD. <small>UNITS 9-13 ADDINGTON PARK IND. EST., LITTLE ADDINGTON, KETTERING, NORTHAMPTONSHIRE, NN14 4AS.</small>	ES 6 REV A
-------	--	--	---------------