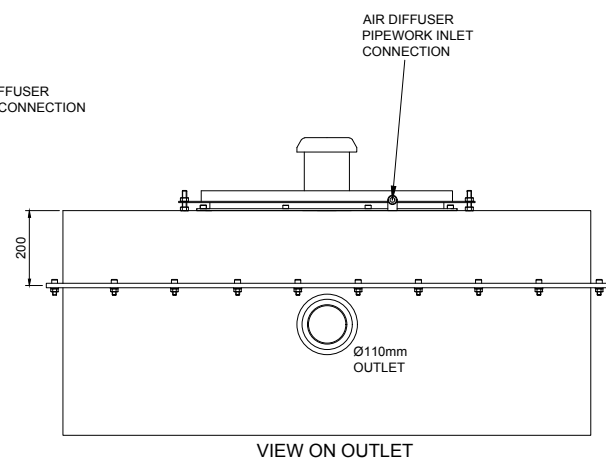
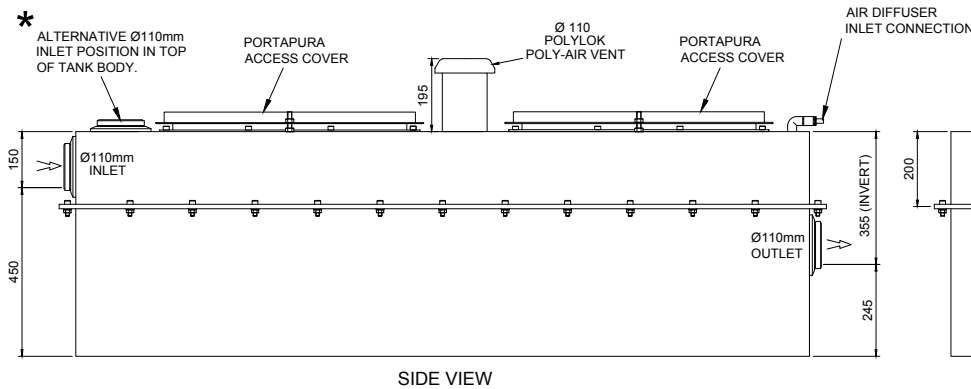
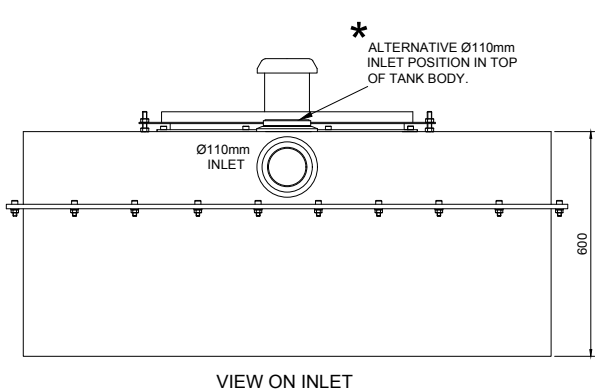


* AN ALTERNATIVE Ø110mm TOP ENTRY INLET POSITION IN TANK BODY CAN BE OFFERED INSTEAD OF THE STANDARD SIDE ENTRY INLET. (CUSTOMER TO REQUEST THE ALTERNATIVE TOP ENTRY INLET, IF REQUIRED).



REV	DESCRIPTION	DATE	SIG	REV	DESCRIPTION	DATE	SIG
A	For Approval						

THIS DRAWING IS THE PROPERTY OF MARSH INDUSTRIES LTD. AND MUST NOT BE REPRODUCED OR CIRCULATED FOR ANY PURPOSE WHATSOEVER WITHOUT FIRST OBTAINING WRITTEN CONSENT FROM THE MARSH INDUSTRIES LTD.

ORIG. CHRD. APPD.

SCALE: N.T.S. DATE: SEPT' 2018

3 RD ANGLE PROJECTION

DO NOT SCALE IF IN DOUBT ASK

CLIENT

TITLE

GENERAL ARRANGEMENT OF THE "PORTAPURA" 3 - PERSON GRAVITY TREATMENT PLANT.

(MODEL M3)

UNITS 9-13 ADDINGTON PARK IND. EST., LITTLE ADDINGTON, KETTERING, NORTHAMPTONSHIRE, NN14 4AS.

MARSH INDUSTRIES >

Leaders in off-mains drainage

DRG. PORTAPURA G3 (GA) REV. A