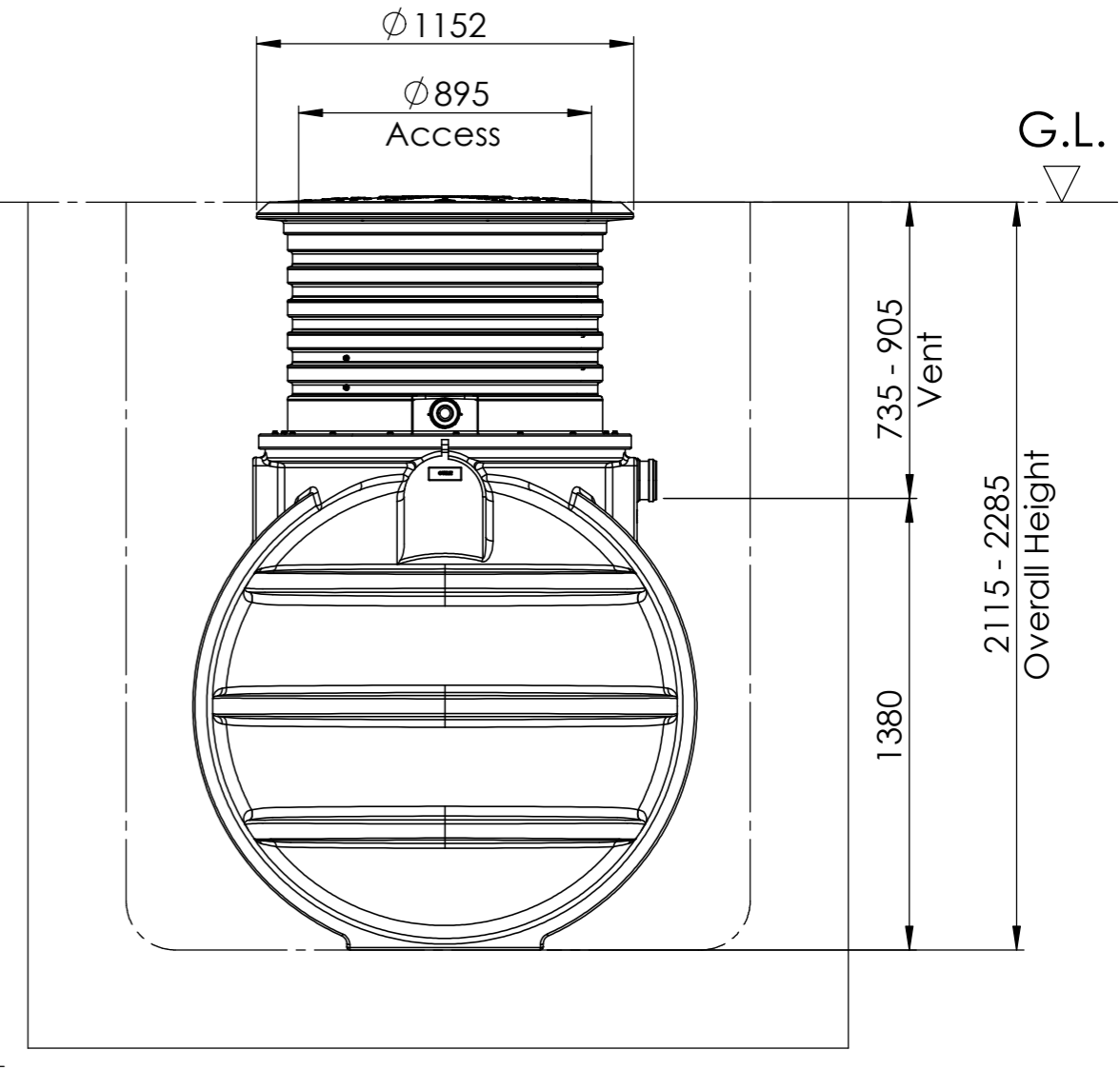
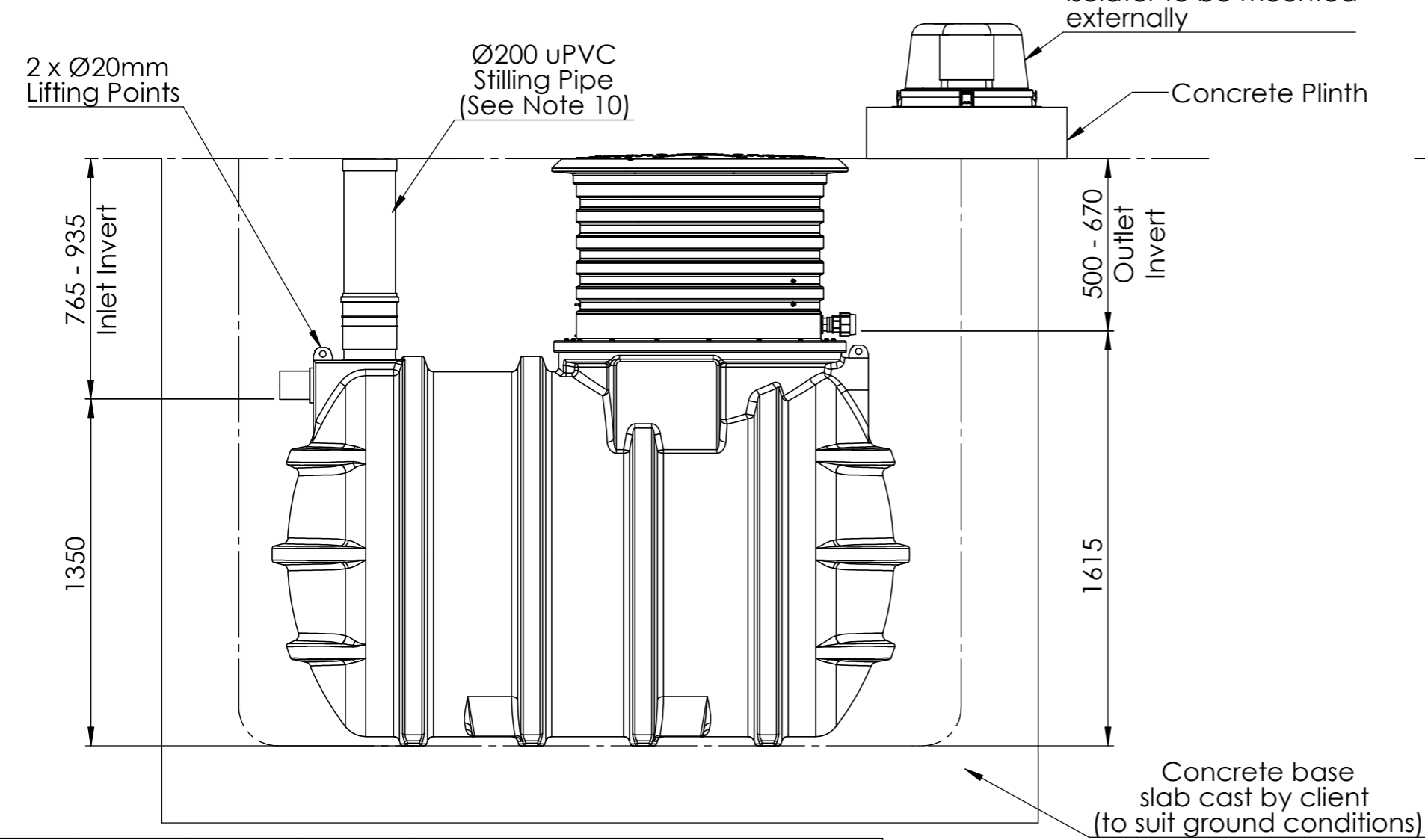


- Notes :**
1. Inlet is Ø110 mm. Suitable reducers should be used to step down from bigger pipework. Supplied by others.
  2. OUTLET is Ø50 mm outside diameter MDPE compression fitting.
  3. Units invert is adjustable by trimming external riser to required height. Selection of correct invert is key and must be suitable for drainage and ground levels on site.
  4. Ext neck kit available for deeper inverts up to a maximum invert of 1450mm. See extension neck drawing for assembly details.
  5. It is important to read and understand installation operation and maintenance guidelines before attempting to install this unit.
  6. Vent pipe connection is supplied but vent runs and stacks are supplied by others.
  7. Air hose for tank internals is supplied with blower housing and is run through the vent.
  8. Cable for the outlet pump is run through the vent.
  9. Tank Weight (Empty) - 175 kg
  10. Socket, Upper pipe & Blanking cap supplied on request.



Please check with Klargestar for the latest Issue of the drawing				
Issue	Date	Drawn By	Approved By	Description
03	05/12/2024	D.Musvaburi	D.M	ECN 2150 - Vent / Duct invert now 735 - 905
02	30/09/2024	D.M	D.M	Tank height and Inverts updated - ECN 2113

All Dimensions In mm      Scale: Do Not Scale

Third Angle Projection

A:\Wastewater\Engineering\Engineering Projects\983A - BioTec+ (BioAir MKII)\Models\BioTec+2\IPS\DS1474P

LN Number : 1014156  
 Finish :  
 Weight :  
 Modelled By :

Tolerance (unless stated) :  
 Thickness :  
 Surface Area : m<sup>2</sup>  
 Material :

Kingspan Water & Energy reserve the right to alter the details of this drawing without prior notice. This drawing is copyright and may not be reproduced or used without the written permission of Kingspan Water & Energy

**Drawing : DS1474P** Page 1 of 1

**BioTec+ 2 - Pumped Outlet**