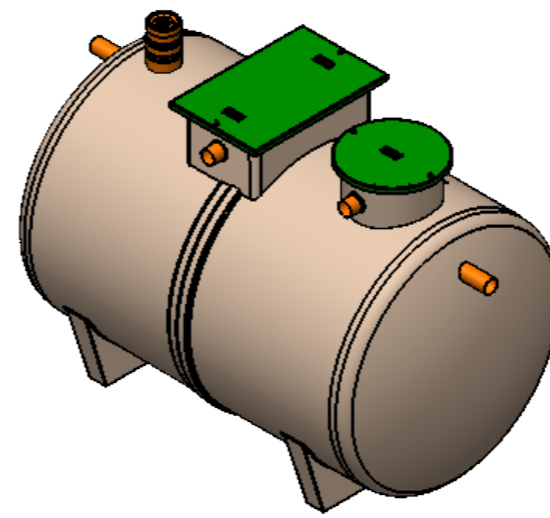
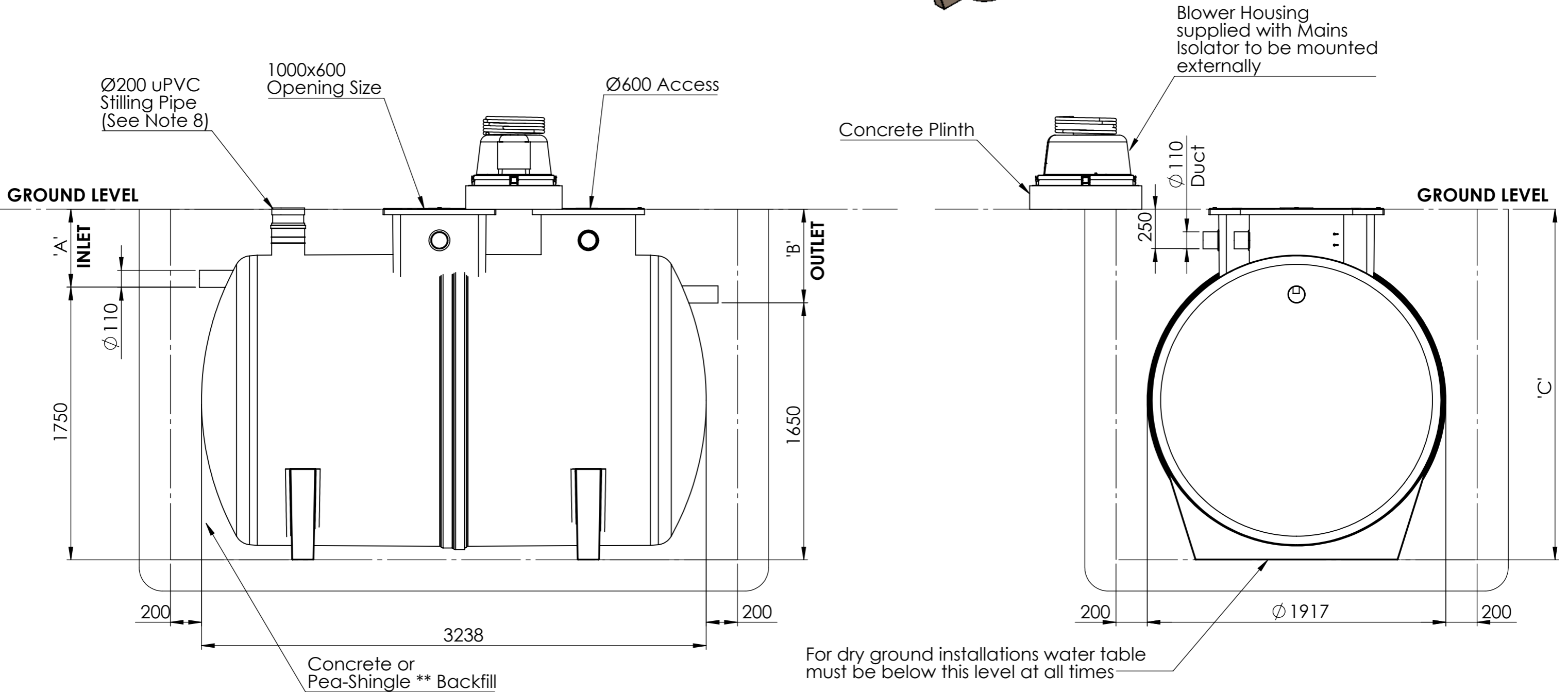


Notes:

1. This drawing is for 'Dimensional information Only', it is essential that this drawing is read in conjunction with the 'Installation Guidelines' supplied with the unit. (Copies available from our Sales Department)
2. Inlet and Outlet pipes are Ø110mm PVCu.
3. Extension neck kit is available for deep inverts up to a maximum invert of 2000mm. See extension neck drawing for assembly details.
4. Vent pipe connection is supplied but vent runs and stacks are supplied by others.
5. Air hose for tank internals is supplied with blower housing and is run through the vent.
6. All covers are Non-pedestrian duty
7. **Pea -shingle backfill is reliant on use of correct strapping and anchoring.
8. Socket, Upper pipe & Blanking cap supplied on request.



Unit Ref	'A' (mm)	'B' (mm)	'C' (mm)	Unit Weight (Kg)
BTX5 (Gravity)	500	600	2250	350
	1000	1100	2750	375
	1500	1600	3250	400
	2000	2100	3750	425



Please check with Kingspan Water & Energy for the latest Issue of the drawing				
Issue	Date	Drawn By	Approved By	Description
01	25/11/2024	TGY	JMcM	Initial Issue

Modelled By :	Tolerance (unless stated) :
Weight : kg	Thickness :
Material :	Surface Area : m ²

Drawing : DS1479P	Page 1 of 1
BioTec+ 5 (16 PE) Gravity Sales Drawing	

All Dimensions In mm Scale: Do Not Scale

Third Angle Projection

A:\Wastewater\Engineering\Engineering Projects\983A - BioTec+ (BioAir MKII)\Models\BioTec+5\Gravity\DS1479P

Kingspan Water & Energy reserve the right to alter the details of this drawing without prior notice. This drawing is copyright and may not be reproduced or used without the written permission of Kingspan Water & Energy

