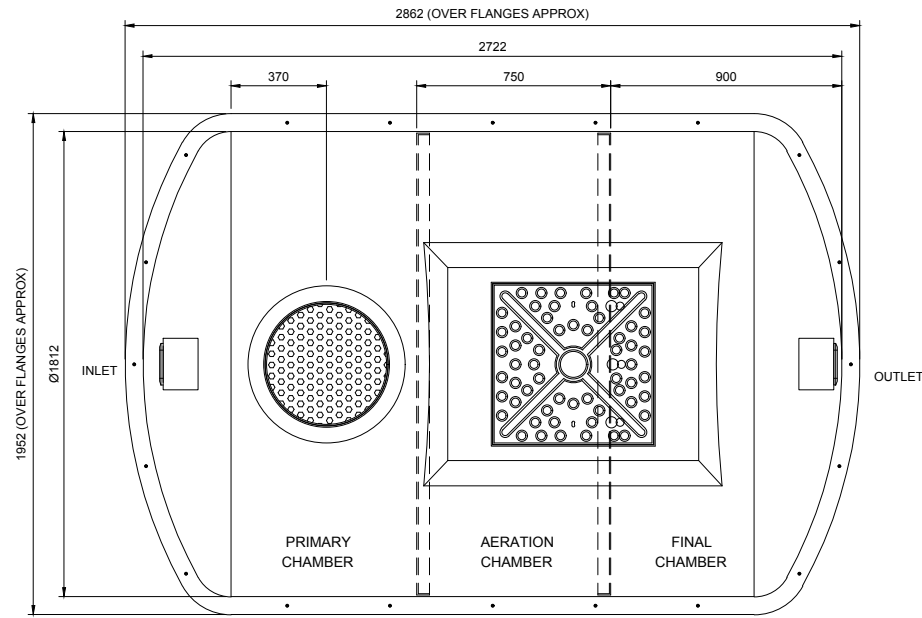
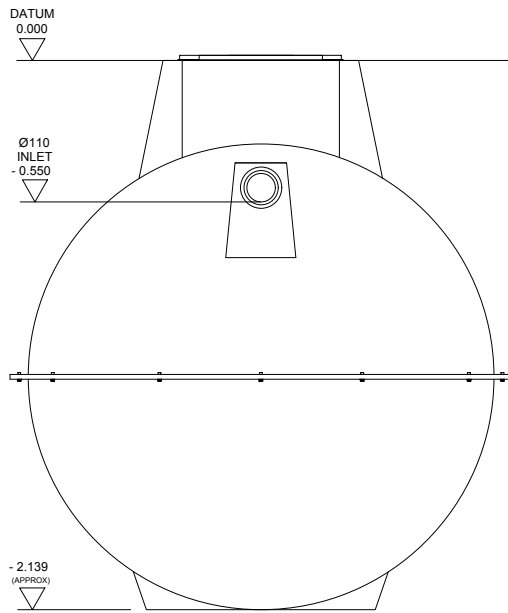


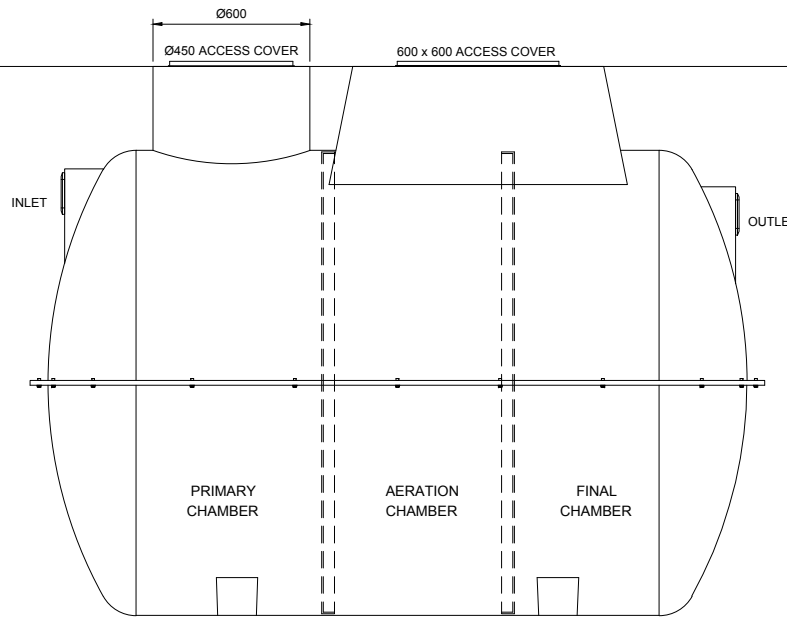
**GENERAL NOTE:**  
 All tanks are subject to a 2.5% tolerance on all dimensions.  
 Any internals (if shown) are for guidance only, and may vary due to individual specifications.



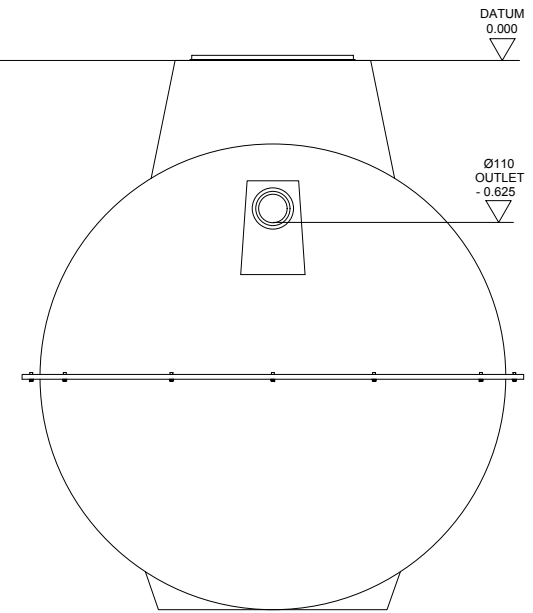
**PLAN**



**VIEW ON INLET**



**SIDE ELEVATION**



**VIEW ON OUTLET**

REV	DESCRIPTION	DATE	SIG	REV	DESCRIPTION	DATE	SIG	REV	DESCRIPTION	DATE	SIG	DESCRIPTION	DATE	SIG	CLIENT	TITLE	
A	For Approval	16.11.23	A.C.N.														<b>MARSH ENCO 12 PE            (TWELVE PERSONS)            GRAVITY OUTLET.            EN12566-3:2011</b>
																 <b>MARSH INDUSTRIES LTD.</b> <small>UNITS 9-13 ADDINGTON PARK IND. EST.,            LITTLE ADDINGTON, KETTERING,            NORTHAMPTONSHIRE, NN14 4AS.</small>	
																	<b>ENCO 12 PE STD</b> REV <b>A</b>

THIS DRAWING IS THE PROPERTY OF MARSH INDUSTRIES LTD. AND MUST NOT BE REPRODUCED OR CIRCULATED FOR ANY PURPOSE WHATSOEVER WITHOUT FIRST OBTAINING WRITTEN CONSENT FROM THE MARSH INDUSTRIES LTD.

DRG.	CHRD	APPD
SCALE	DATE	
N.T.S.	16.11.2023	
3 RD ANGLE PROJECTION      DO NOT SCALE IF IN DOUBT ASK		