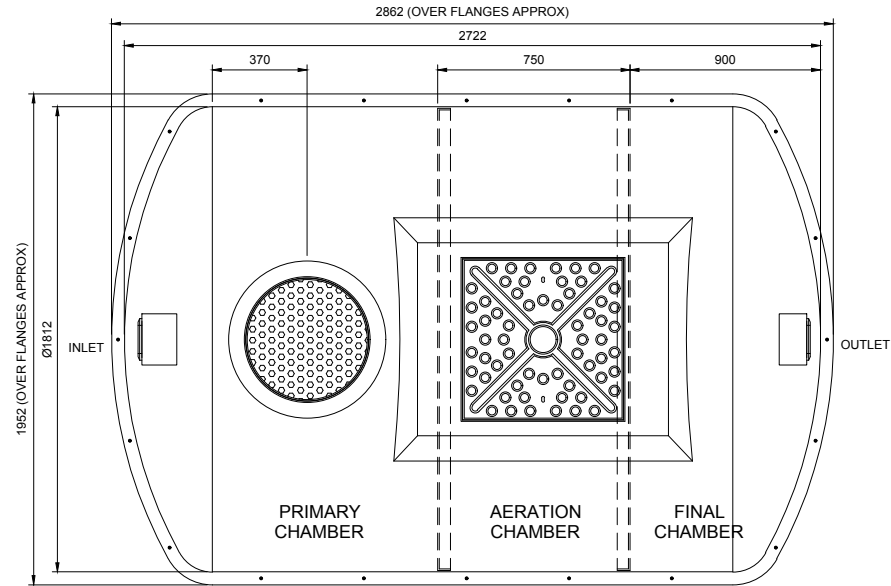
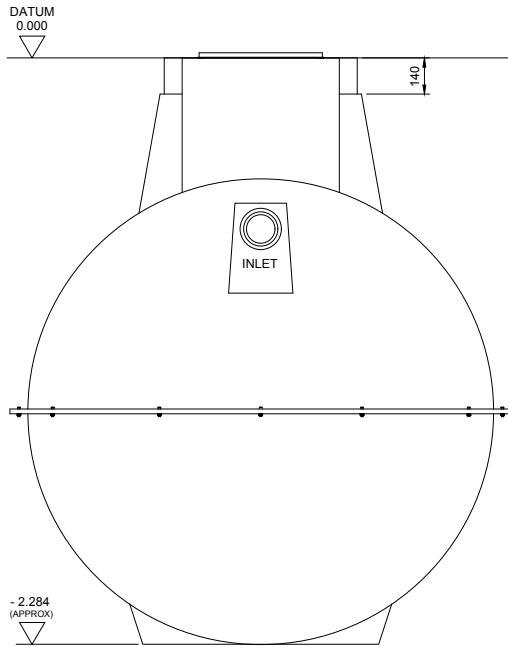


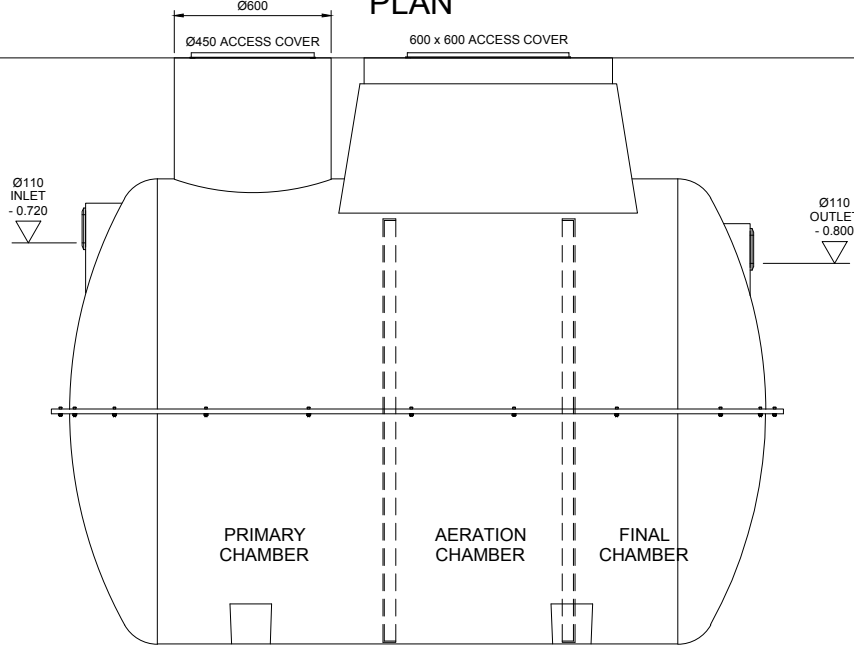
GENERAL NOTE:  
 All tanks are subject to a 2.5% tolerance on all dimensions.  
 Any internals (if shown) are for guidance only, and may vary in design / individual specifications.



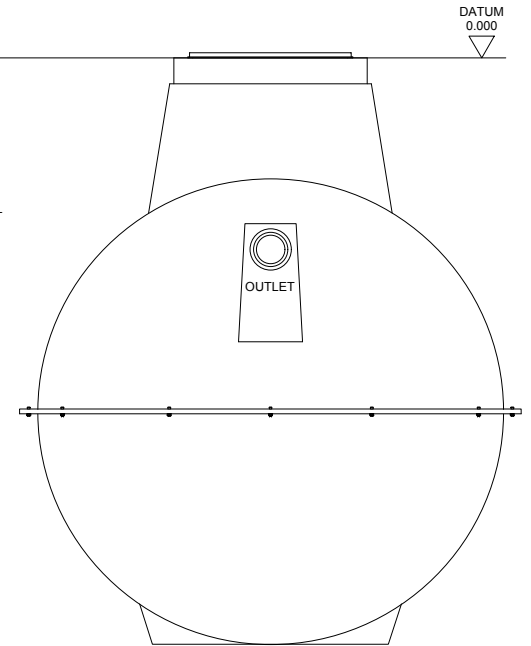
PLAN



VIEW ON INLET



SIDE ELEVATION



VIEW ON OUTLET

REV	DESCRIPTION	DATE	SIG	REV	DESCRIPTION	DATE	SIG
A	For Approval	16.11.23	A.C.N.				

REV	DESCRIPTION	DATE	SIG

THIS DRAWING IS THE PROPERTY OF MARSH INDUSTRIES LTD. AND MUST NOT BE REPRODUCED OR CIRCULATED FOR ANY PURPOSE WHATSOEVER WITHOUT FIRST OBTAINING WRITTEN CONSENT FROM THE MARSH INDUSTRIES LTD.		
DRG.	CHRD	APPD
SCALE	DATE	
N.T.S.	16.11.2023	
3 RD ANGLE PROJECTION	DO NOT SCALE IF IN DOUBT ASK	

CLIENT	TITLE

MARSH ENCO 16 PE  
 (SIXTEEN PERSONS)  
 GRAVITY OUTLET.  
 EN12566-3:2011



MARSH INDUSTRIES LTD.  
 UNITS 9-13 ADDINGTON PARK IND. EST.,  
 LITTLE ADDINGTON, KETTERING,  
 NORTHAMPTONSHIRE, NN14 4AS.  
 DRG: ENCO 16 PE STD REV