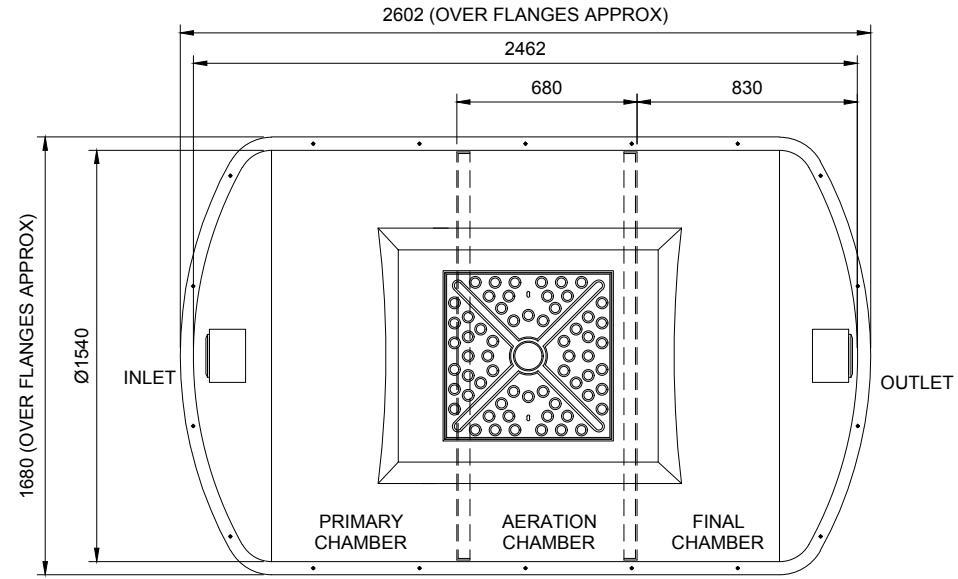
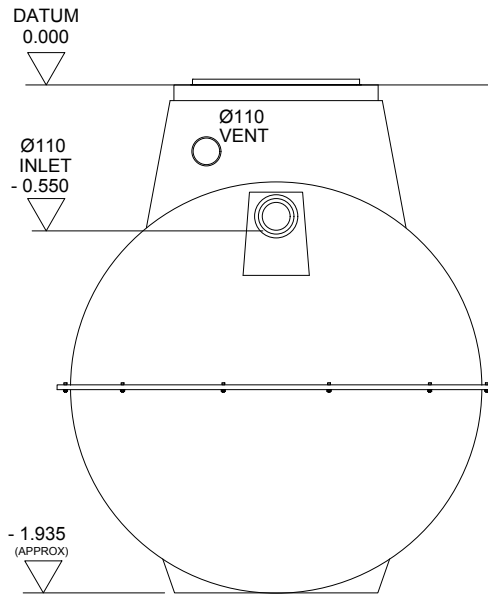


**GENERAL NOTE:**

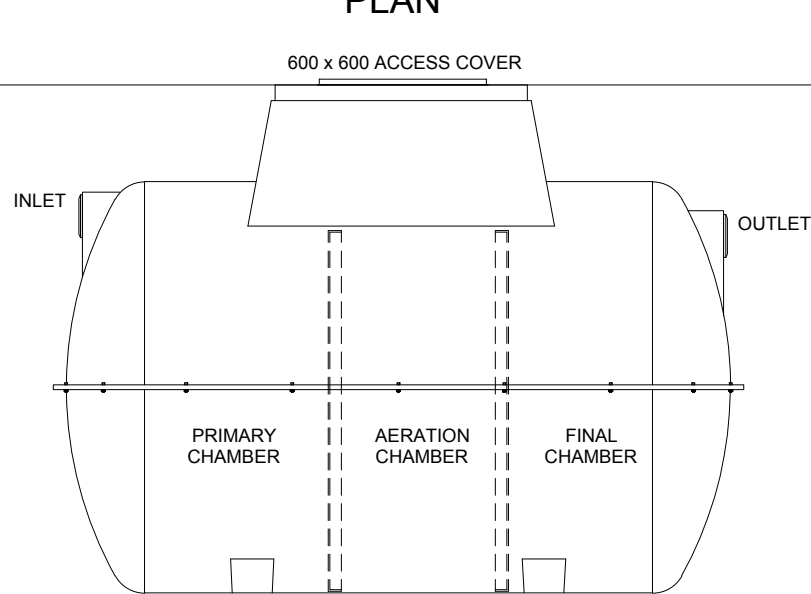
All tanks are subject to a 2.5% tolerance on all dimensions.  
Any internals (if shown) are for guidance only, and may vary due to individual specifications.



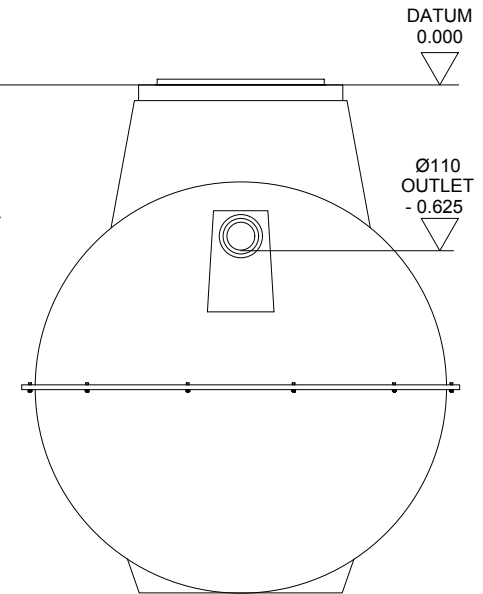
**PLAN**



**VIEW ON INLET**



**SIDE ELEVATION**



**VIEW ON OUTLET**

REV	DESCRIPTION	DATE	SIG	REV	DESCRIPTION	DATE	SIG	REV	DESCRIPTION	DATE	SIG	CLIENT	TITLE	DRG	REV
A	For Approval	16.11.23	A.C.N.										MARSH ENCO 6 PE (SIX PERSONS) GRAVITY OUTLET EN12566-3:2011	ENCO 6 PE STD	A
<p>THIS DRAWING IS THE PROPERTY OF MARSH INDUSTRIES LTD. AND MUST NOT BE REPRODUCED OR CIRCULATED FOR ANY PURPOSE WHATSOEVER WITHOUT FIRST OBTAINING WRITTEN CONSENT FROM THE MARSH INDUSTRIES LTD.</p>															
<p>DRG: _____ CHR: _____ APPD: _____</p>															
<p>SCALE: N.T.S. DATE: 16.11.2023</p>															
<p>3 RD ANGLE PROJECTION DO NOT SCALE IF IN DOUBT ASK</p>															



**MARSH**  
INDUSTRIES LTD.  
UNITS 9-13 ADDINGTON PARK IND. EST.,  
LITTLE ADDINGTON, KETTERING,  
NORTHAMPTONSHIRE, NN14 4AS.